



TRINITY GLASS
INTERNATIONAL

33615 1st Way S, Federal Way, WA 98003

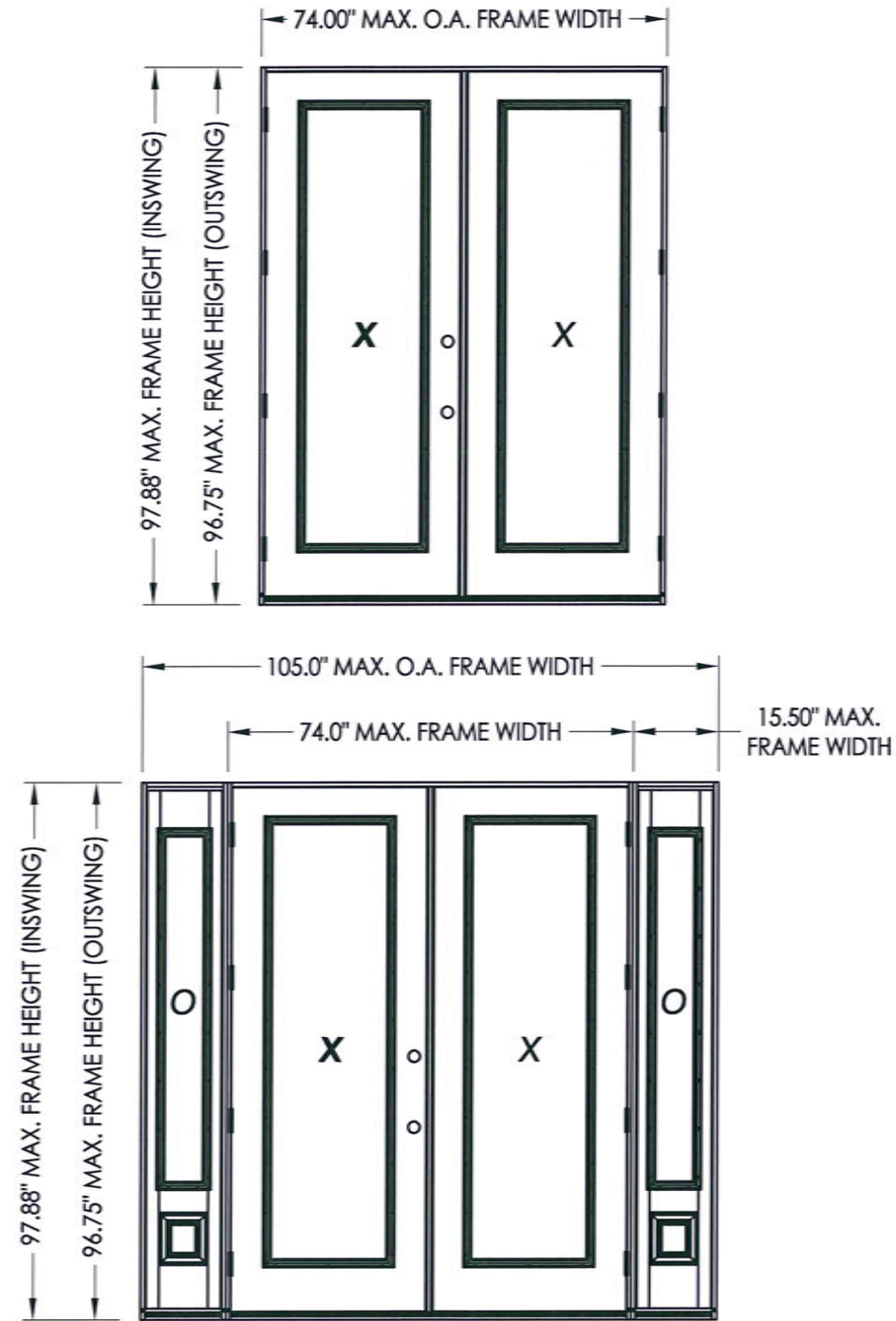
**GLAZED FIBERGLASS
DOUBLE DOOR
WITH or WITHOUT SIDELITES
"NON-IMPACT"
IN SWING / OUTSWING**

GENERAL NOTES

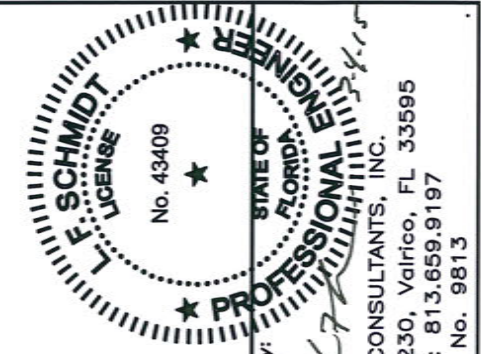
1. This product has been evaluated and is in compliance with the 5th Edition (2014) Florida Building Code (FBC) structural requirements excluding the "High Velocity Hurricane Zone" (HVHZ).
2. Product anchors shall be as listed and spaced as shown on details. Anchor embedment to base material shall be beyond wall dressing or stucco.
3. When used in areas requiring wind borne debris protection this product is required to be protected with an impact resistant covering that complies with Section 1609.1.2 of the FBC.
4. For 2x stud framing construction, anchoring of these units shall be the same as that shown for 2x buck masonry construction.
5. Site conditions that deviate from the details of this drawing require further engineering analysis by a licensed engineer or registered architect.

TABLE OF CONTENTS

SHEET#	DESCRIPTION
1	Typical elevations, design pressures & general notes
2	Door panel details
3	Sidelite panel details
4	Elevations
5	Horizontal cross section
6	Vertical cross sections
7	Vertical cross sections
8	Buck anchoring
9	Frame anchoring
10	Astragal details (TRC)
11	Astragal details (Endura)
12	Components
13	Bill of materials



CONFIGURATION	MAX. FRAME DIMENSION	ASTRAGAL TYPE	DESIGN PRESSURE (PSF) INSWING		DESIGN PRESSURE (PSF) OUTSWING	
			POSITIVE	NEGATIVE	POSITIVE	NEGATIVE
			XX	74.0" x 97.88"	ENDURA	+47.0
		TRC	+50.0	-55.0	+50.0	-50.0
OXXO	105.0" x 97.88"	ENDURA	+47.0	-47.0	+47.0	-47.0
		TRC	+47.0	-47.0	+47.0	-47.0



Documents Prepared By:
Lyndon F. Schmidt
P.E. No. 43409

RW BUILDING CONSULTANTS, INC.
P.O. Box 230, Valrico, FL 33595
Phone No.: 813.659.9197
FBPE C.A. No. 9813

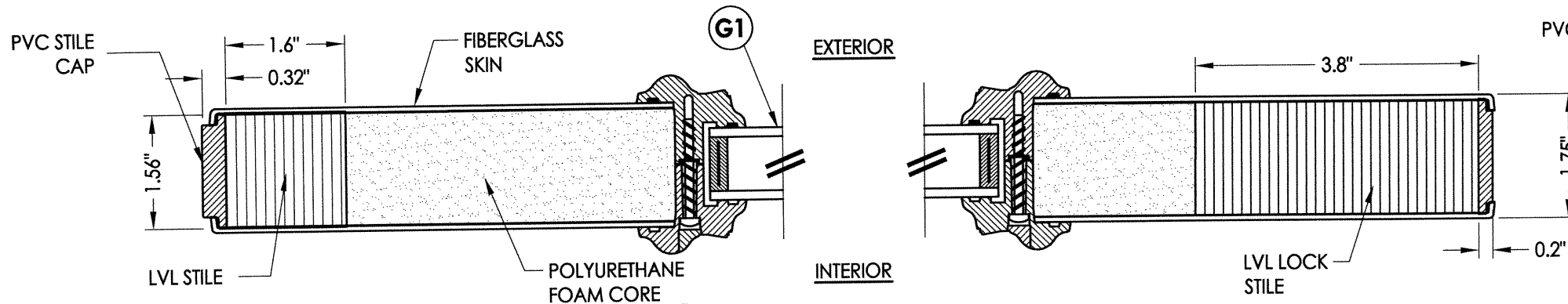
PRODUCT: TRINITY GLASS INT'L

PART OR ASSEMBLY:
TYPICAL ELEVATION, DESIGN PRESSURES & GENERAL NOTES

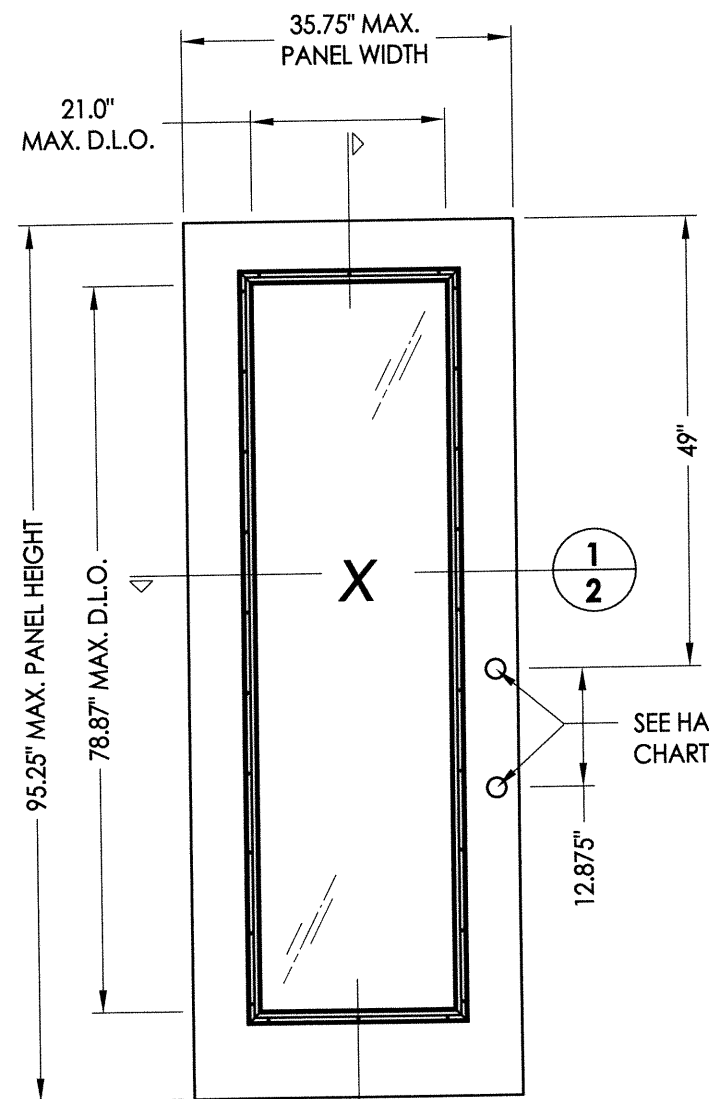
NO.	DATE	REVISIONS
2	03/02/15	UPDATE TO 5TH ED. (2014) FBC
1	3/27/12	CORRECTED ASTRAGAL DETAIL

DATE: 1/18/12
SCALE: N.T.S.
DWG. BY: JK
CHK. BY: LFS
DRAWING NO.: FL-15129.20
SHEET 1 OF 13

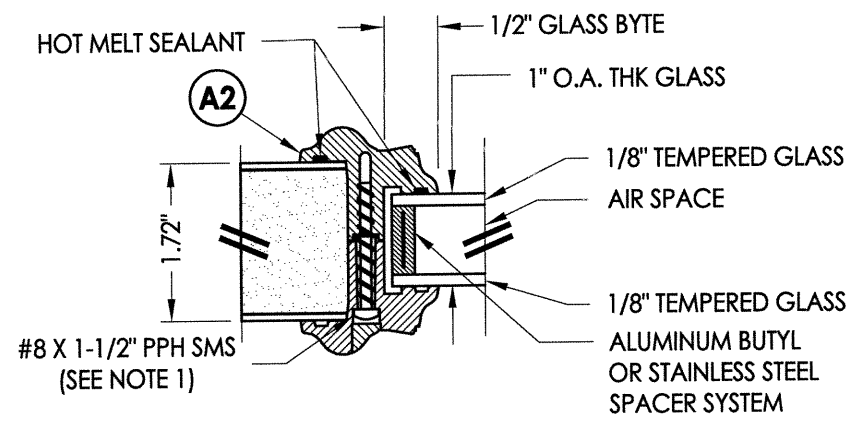
R:\Clients\Trinity PERMANENT\Florida Product Approvals\FL-15129\Drawings\Current\FL-15129.13-20.dwg, 2.20



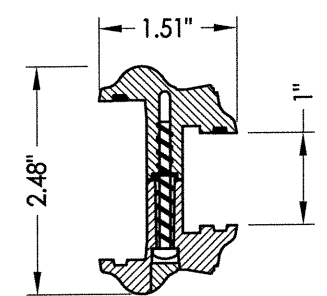
1
2 **HORIZONTAL CROSS SECTION**



2
2 **LIPLITE FIBERGLASS DOOR**



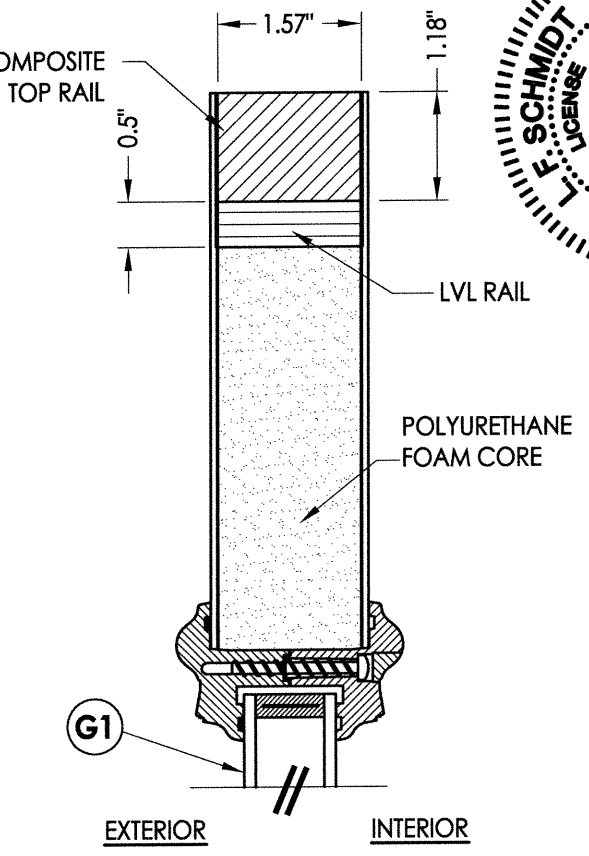
G1 **GLAZING DETAIL**
Lip Lite Frame



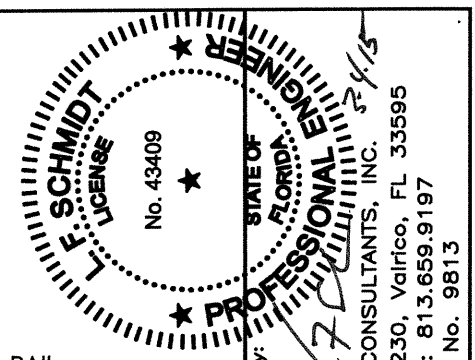
A2 **LIP LITE FRAME**
ABS or PC/ASA

HARDWARE CHART	
MANUFACTURER	MODEL
KWIKSET	KNOB: SIGNATURE SERIES DEADBOLT: SIGNATURE SERIES (980)

NOTE:
1. Spacing for lite frame screw is as follows:
Top and Bottom: 2" from each corner & at centerline (3 total)
Sides: 2" from each corner and equally spaced thereafter (10 total)



2
2 **VERTICAL CROSS SECTION**

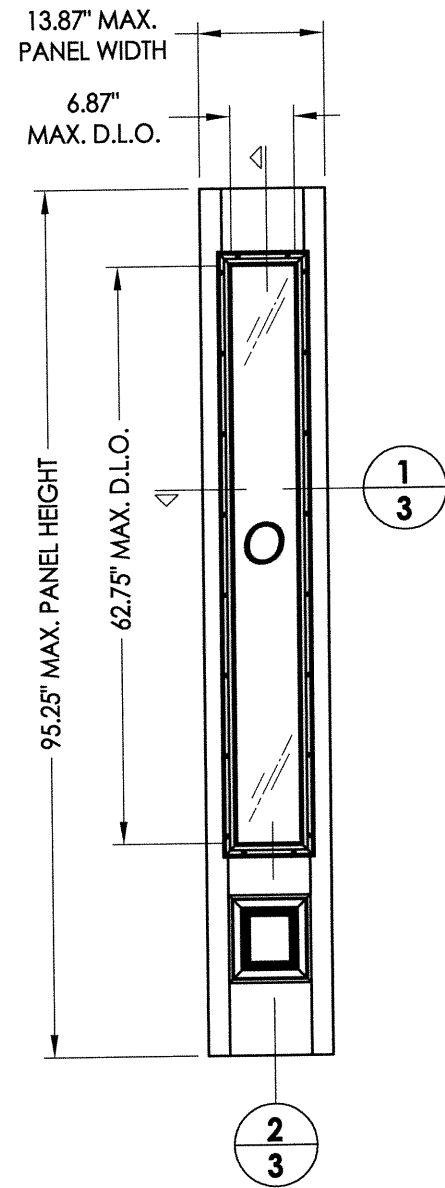


Documents Prepared By:
Lyndon F. Schmidt
P.E. No. 43409
RW
BUILDING CONSULTANTS, INC.
P.O. Box 230, Valrico, FL 33595
Phone No.: 813.659.9197
FBPE C.A. No. 9813

PRODUCT:	TRINITY GLASS INT'L
PART OR ASSEMBLY:	DOOR PANEL DETAILS

NO.	DATE	BY	REVISIONS
2	03/02/15	JK	UPDATE TO 5TH ED. (2014) FBC
1	3/27/12	LFS	CORRECTED ASTRAGAL DETAIL

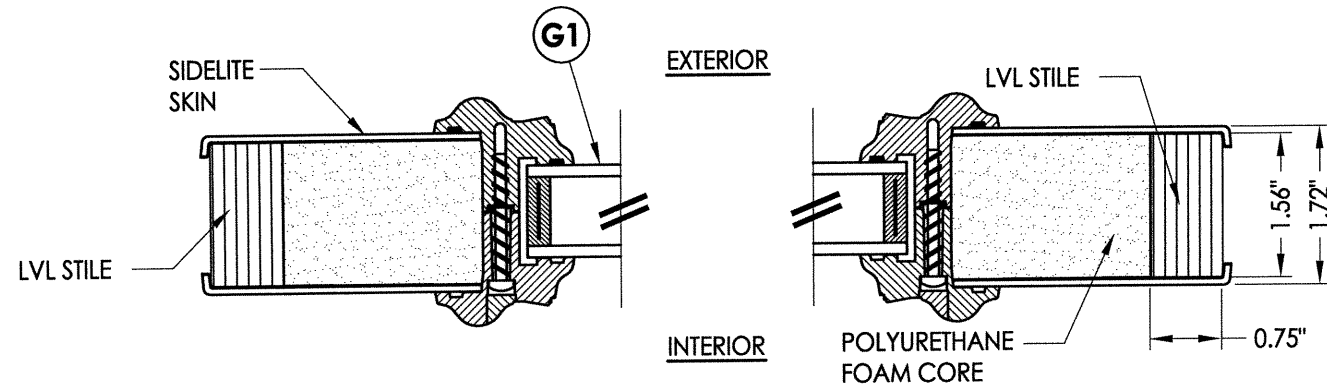
DATE:	1/18/12
SCALE:	N.T.S.
DWG. BY:	JK
CHK. BY:	LFS
DRAWING NO.:	FL-15129.20
SHEET	2 OF 13



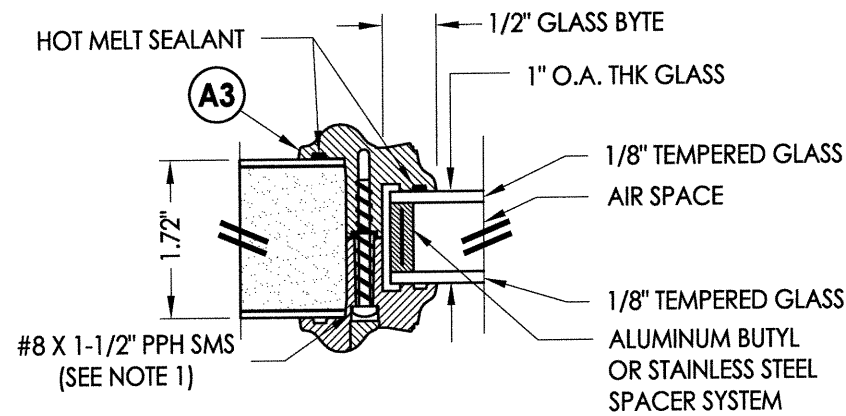
41 FIBERGLASS SIDELITE
"NON-IMPACT"

NOTE:
1. Spacing for lite frame screw is as follows:
Top and Bottom: 2" from each corner (2 total)
Sides: 2" from each corner and equally spaced thereafter (8 total)

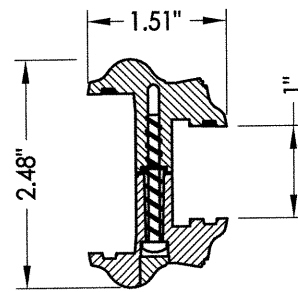
DOOR SKIN: 0.079" MIN. THK. FIBERGLASS
CORE MATERIAL: POLYURETHANE FOAM



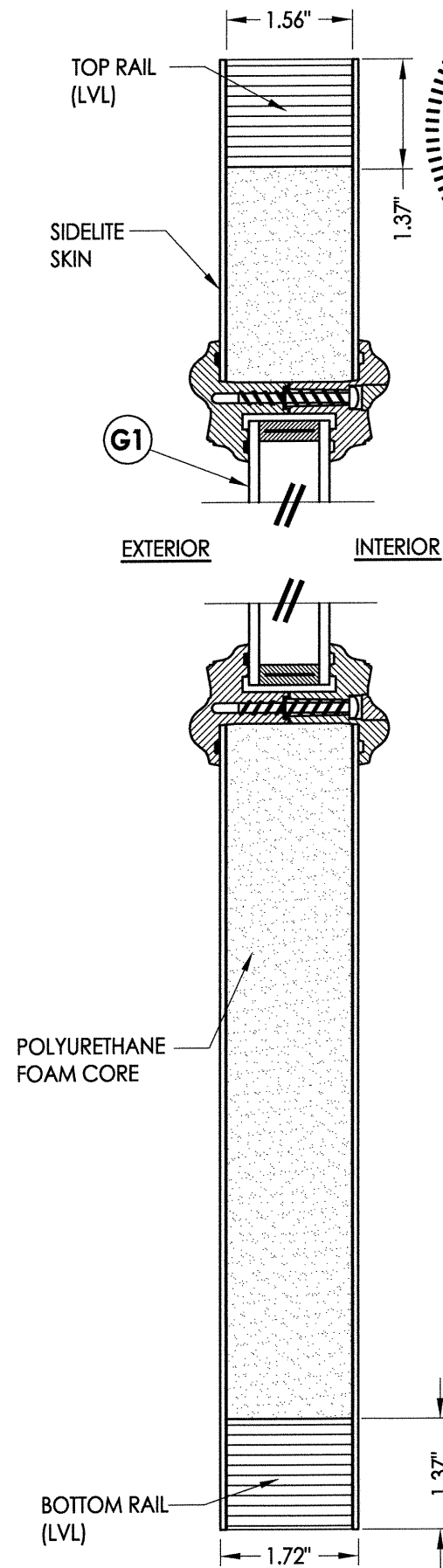
1 HORIZONTAL CROSS SECTION



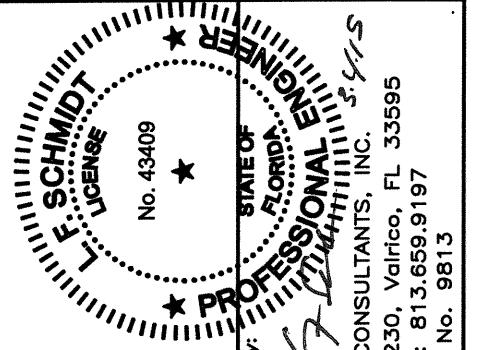
G1 GLAZING DETAIL
Lip Lite Frame



A3 LIP LITE FRAME
ABS or PC/ASA

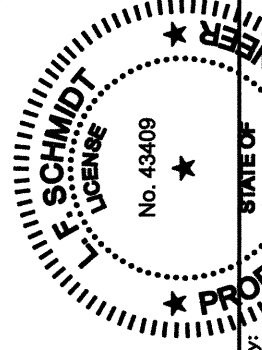
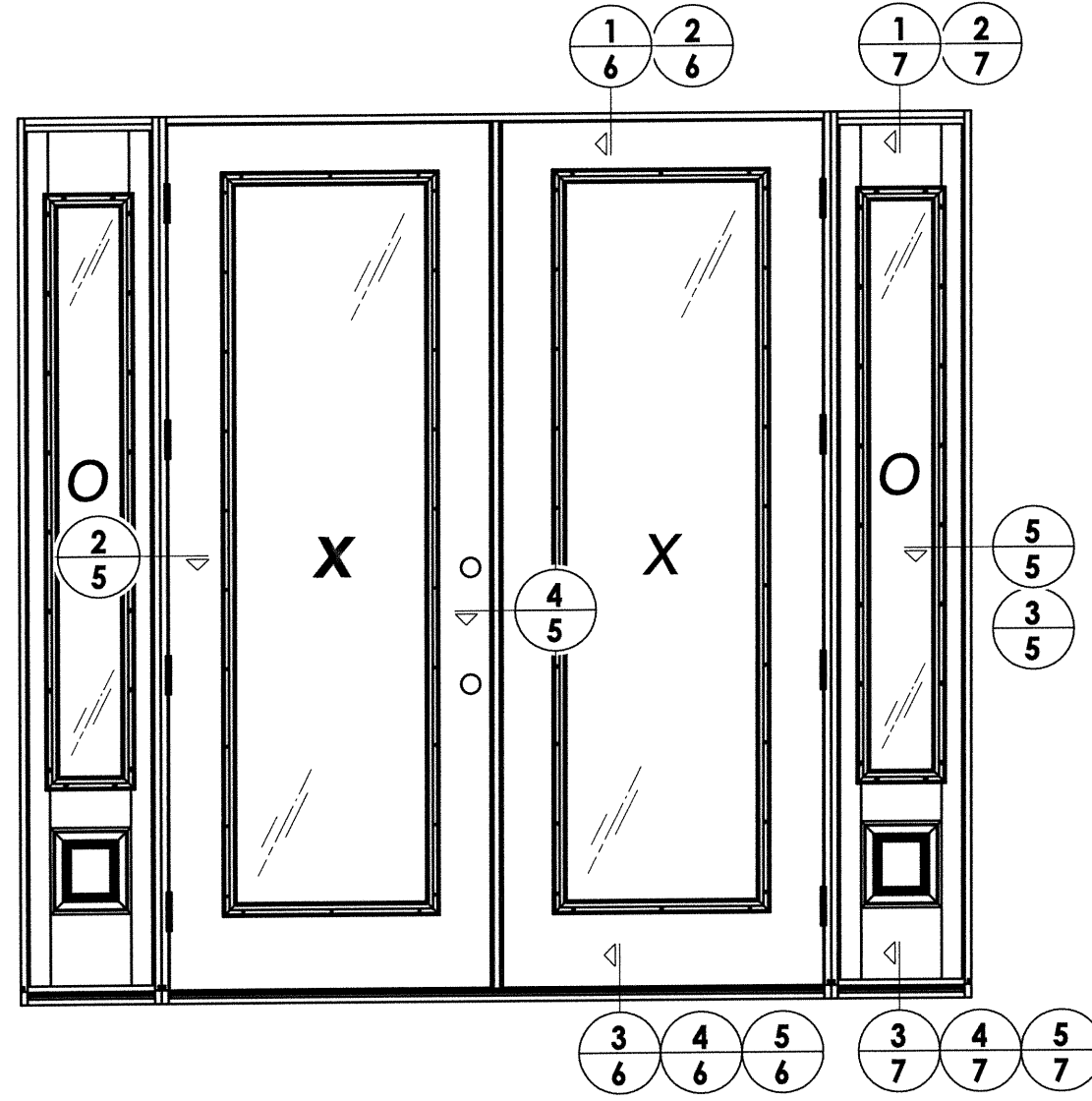
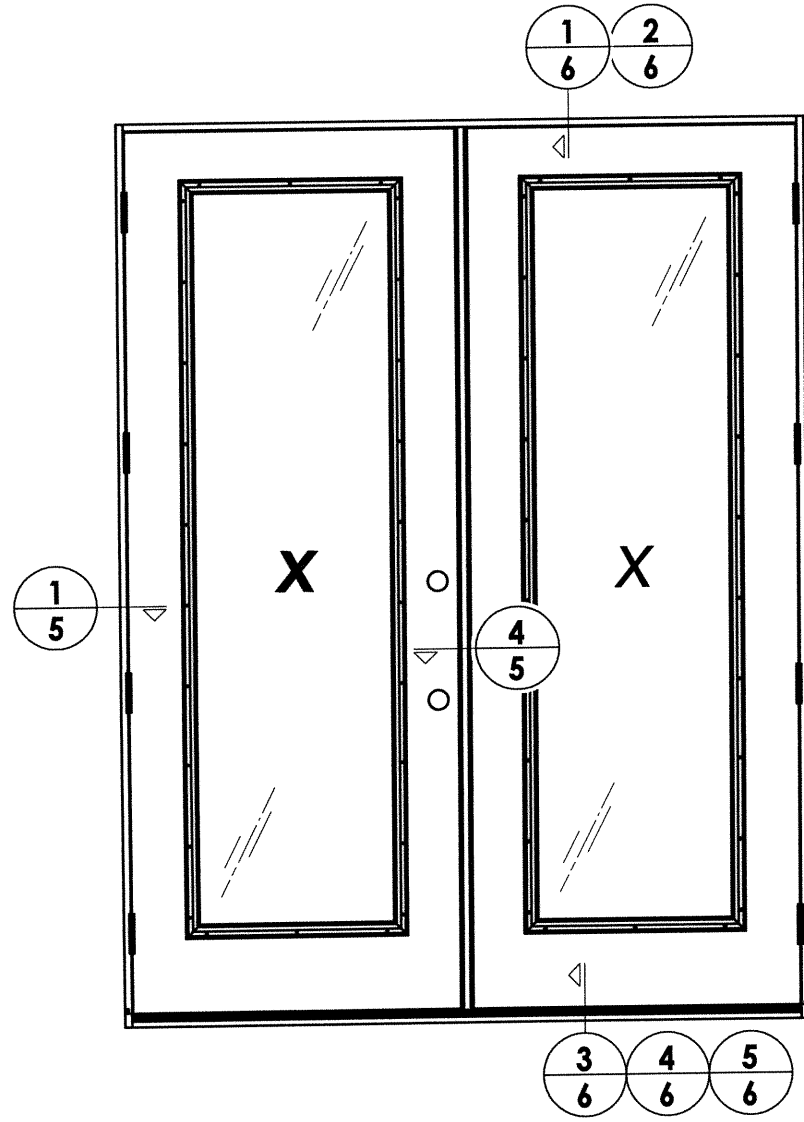


2 VERTICAL CROSS SECTION



Documents Prepared By:
Lyndon F. Schmidt
P.E. No. 43409
R.W. BUILDING CONSULTANTS, INC.
P.O. Box 230, Valrico, FL 33595
Phone No.: 813.659.9197
FBPE C.A. No. 9813

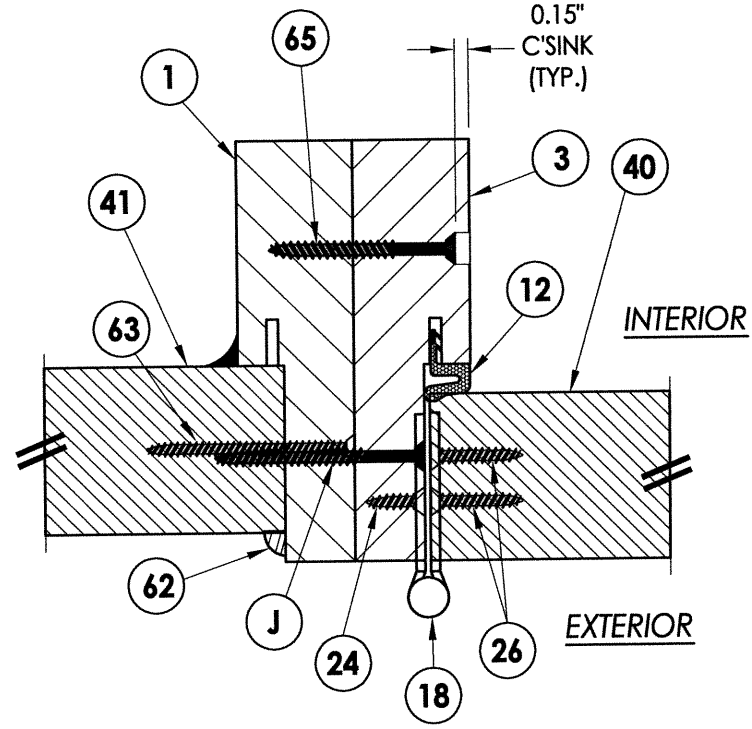
PRODUCT:	TRINITY GLASS INT'L	
PART OR ASSEMBLY:	SIDELITE PANEL DETAILS	
NO.	DATE	BY
2	03/02/15	JK
1	3/27/12	LFS
REVISIONS		
DATE:	1/18/12	
SCALE:	N.T.S.	
DWG. BY:	JK	
CHK. BY:	LFS	
DRAWING NO.:	FL-15129.20	
SHEET	3 OF 13	



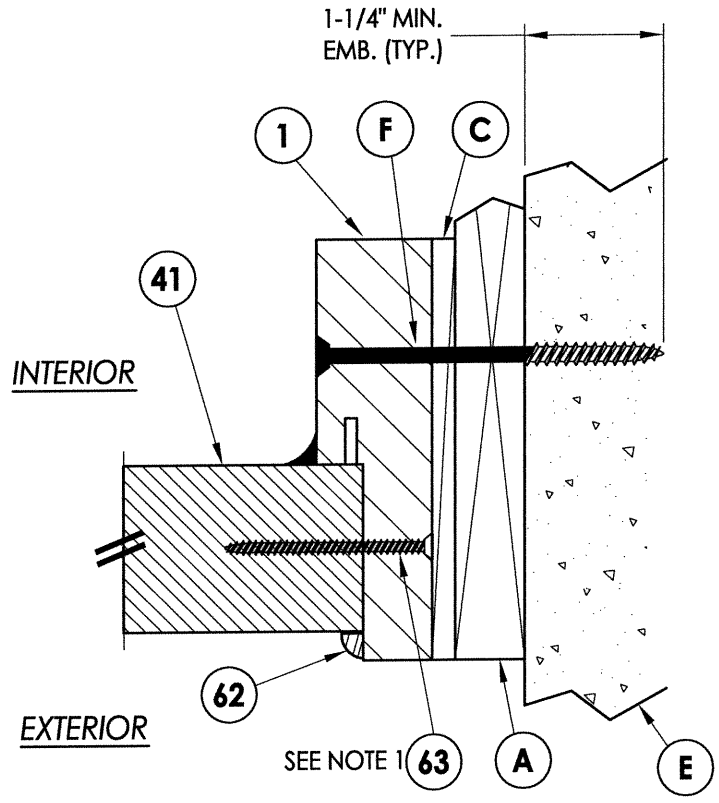
Documents Prepared By:
 Lyndon F. Schmidt
 P.E. No. 43409

RW BUILDING CONSULTANTS, INC.
 P.O. Box 230, Vairico, FL 33595
 Phone No.: 813.659.9197
 FBPE C.A. No. 9813

PRODUCT: TRINITY GLASS INT'L	
PART OR ASSEMBLY: ELEVATIONS	
NO.	DATE
2	03/02/15
1	3/27/12
REVISIONS	
DATE:	1/18/12
SCALE:	N.T.S.
DWG. BY:	JK
CHK. BY:	LFS
DRAWING NO.:	FL-15129.20
SHEET	4 OF 13

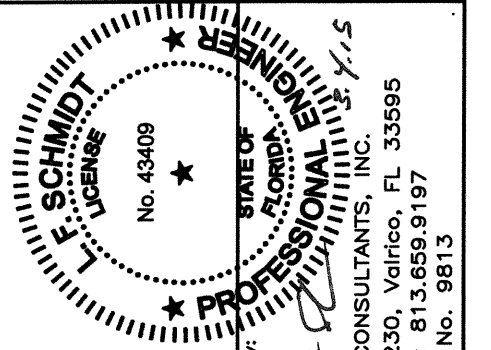


2 HORIZONTAL CROSS SECTION
5 Outswing shown - Inswing also approved



3 HORIZONTAL CROSS SECTION
5 Shown w/1X sub-buck

NOTE:
 1. Item #63 - #8 x 2-1/4" PFH screws thru jamb into sidelite located @ 6", 27", 50-1/4", & 72-1/8" from top of frame typ. both side jambs.

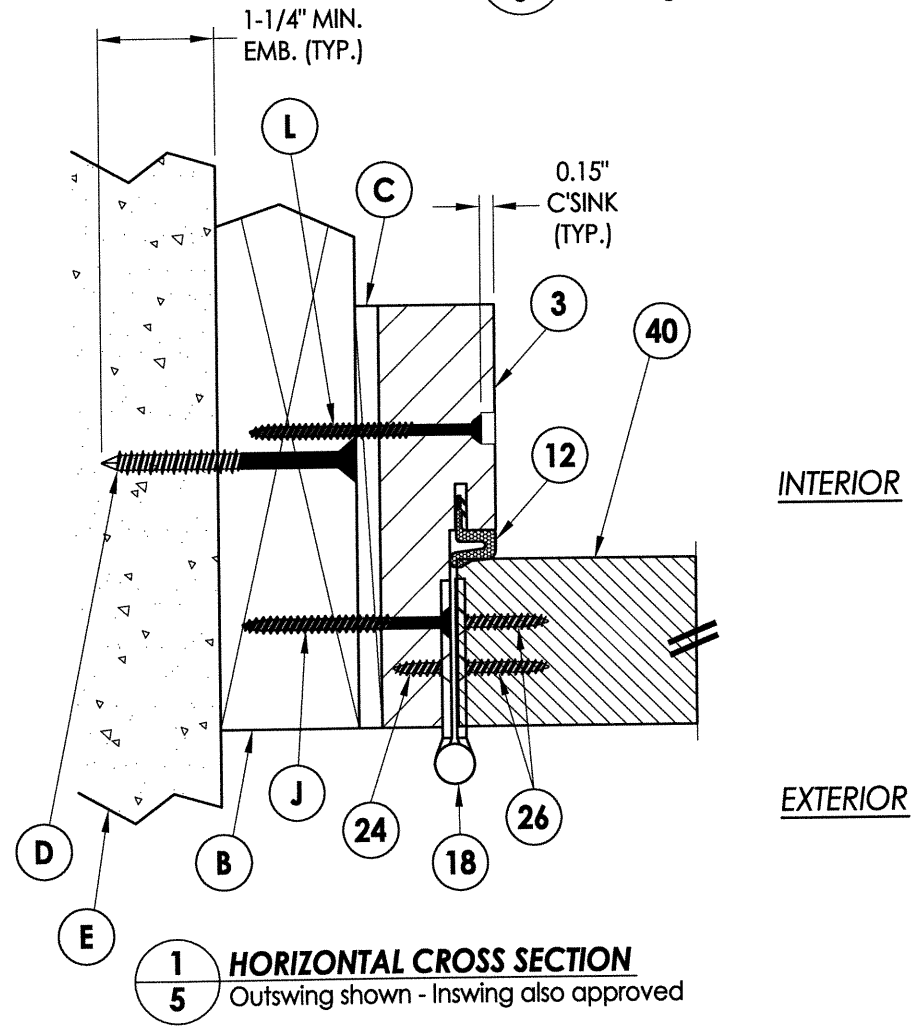


Documents Prepared By:
 Lyndon F. Schmidt
 P.E. No. 43409
 R.W. BUILDING CONSULTANTS, INC.
 P.O. Box 230, Valrico, FL 33595
 Phone No.: 813.659.9197
 FBPE C.A. No. 9813

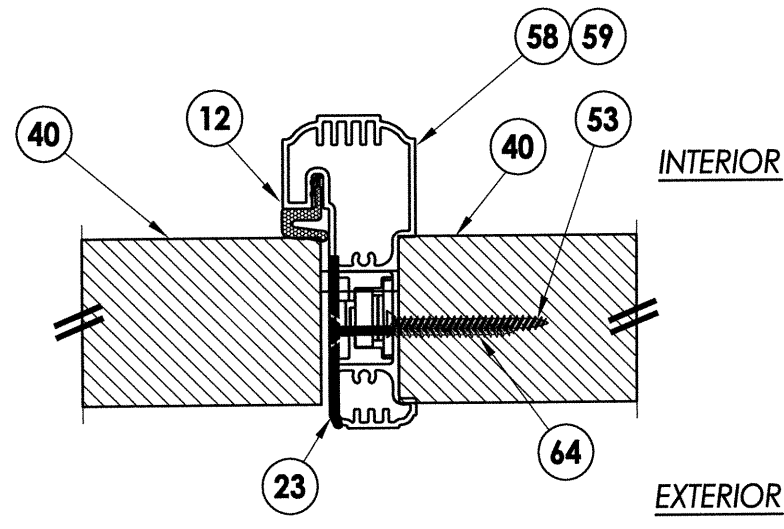
PRODUCT: TRINITY GLASS INT'L
 PART OR ASSEMBLY: HORIZONTAL CROSS SECTIONS

NO.	DATE	REVISIONS
2	03/02/15	UPDATE TO 5TH ED. (2014) FBC
1	3/27/12	CORRECTED ASTRAGAL DETAIL

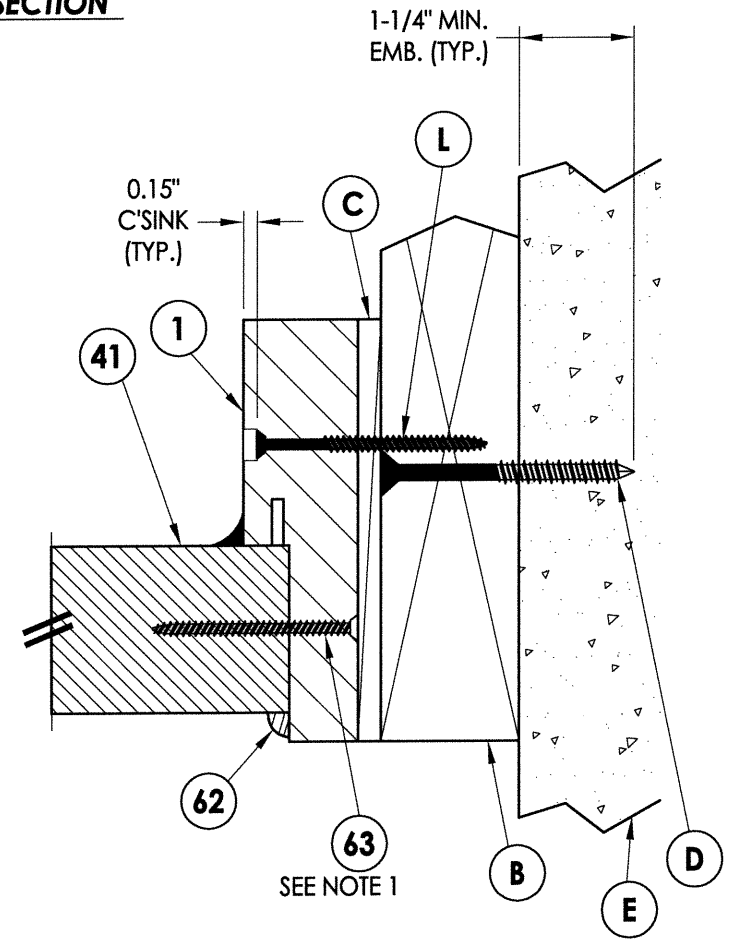
DATE: 1/18/12
 SCALE: N.T.S.
 DWG. BY: JK
 CHK. BY: LFS
 DRAWING NO.: FL-15129.20
 SHEET 5 OF 13



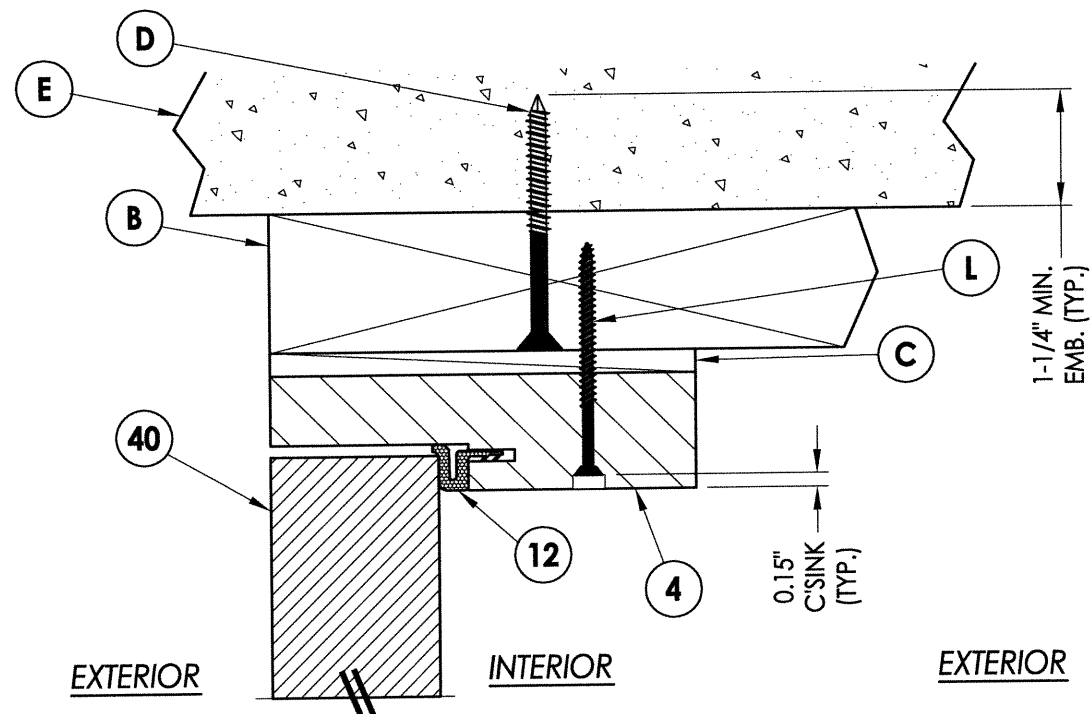
1 HORIZONTAL CROSS SECTION
5 Outswing shown - Inswing also approved



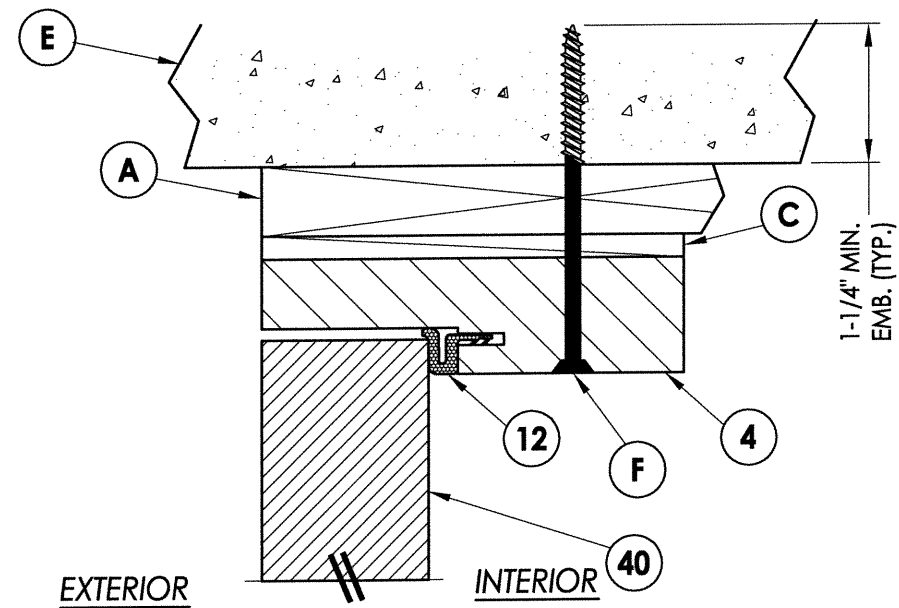
4 HORIZONTAL CROSS SECTION
5 Outswing shown - Inswing also approved



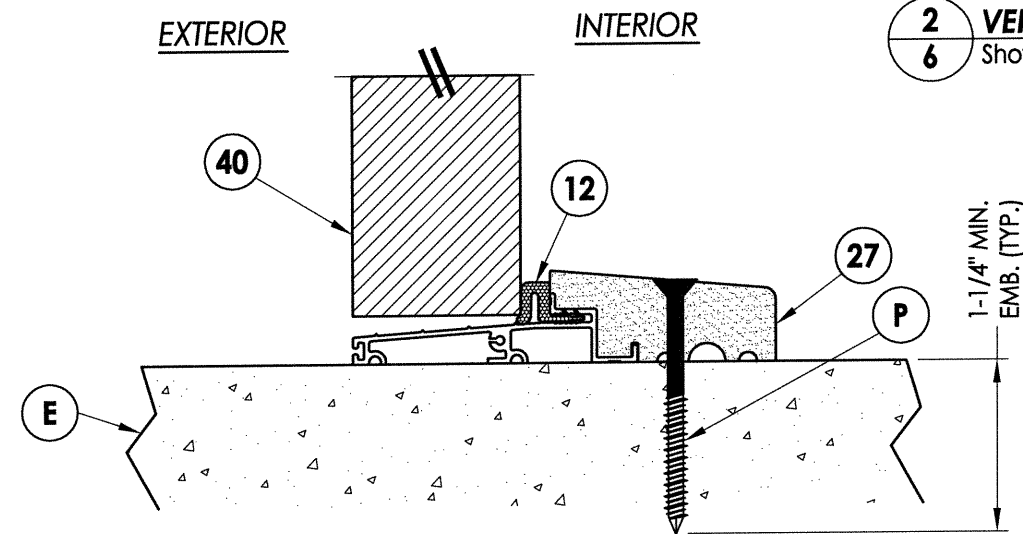
5 HORIZONTAL CROSS SECTION
5 Outswing shown - Inswing also approved



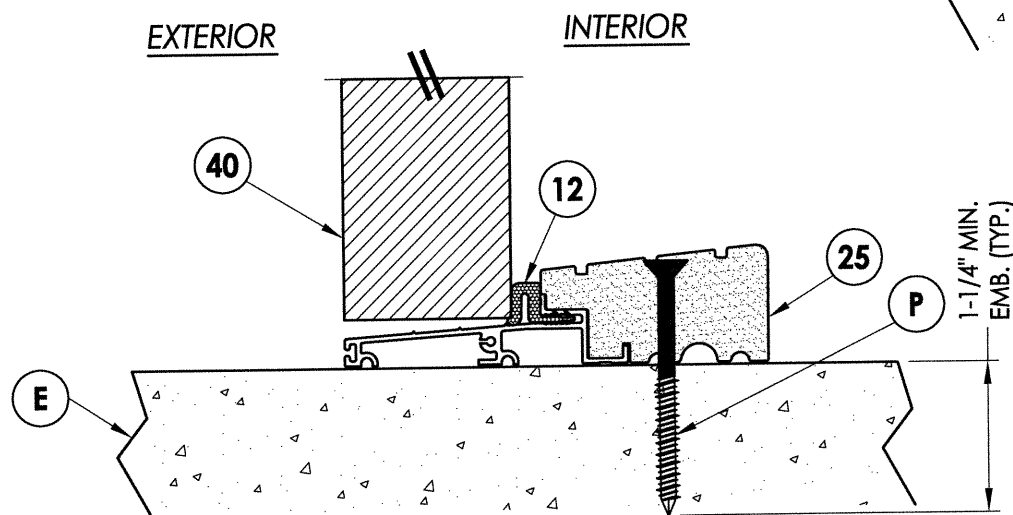
1 VERTICAL CROSS SECTION
 6 Outswing shown
 Inswing also approved



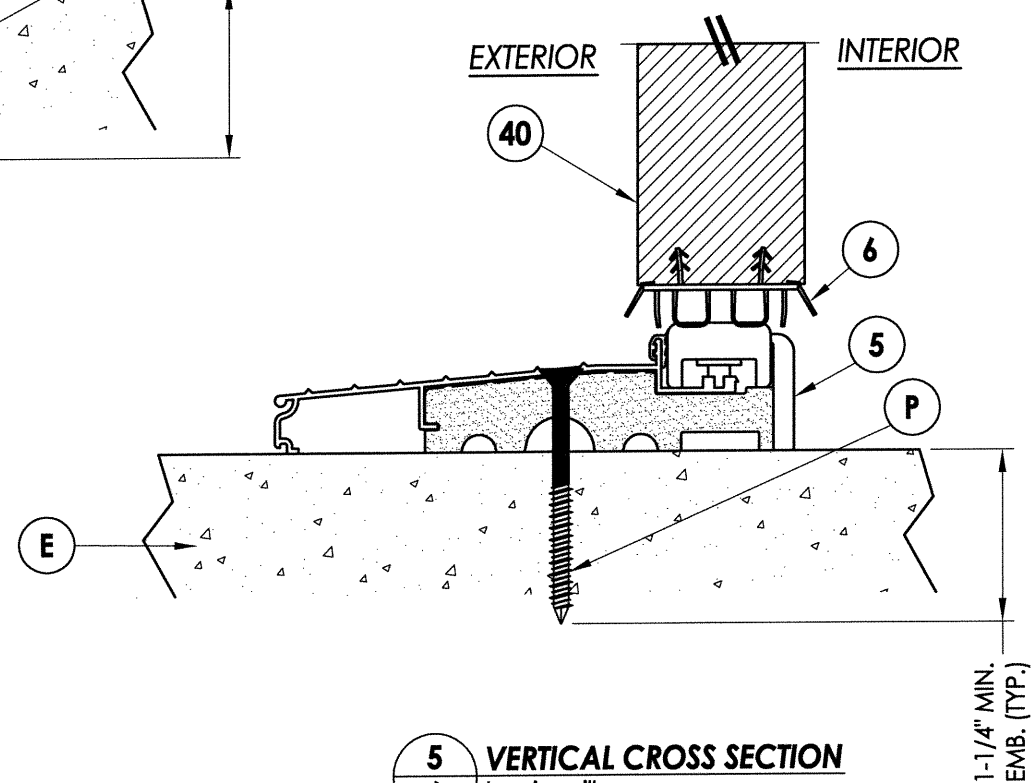
2 VERTICAL CROSS SECTION
 6 Shown w/1X sub-buck



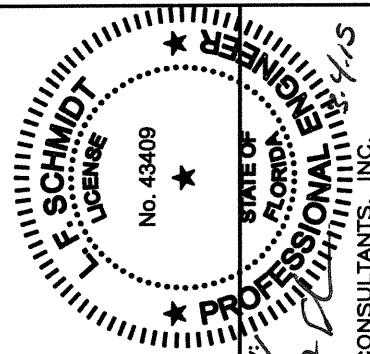
4 VERTICAL CROSS SECTION
 6 Outswing sill



3 VERTICAL CROSS SECTION
 6 Outswing sill - high dam

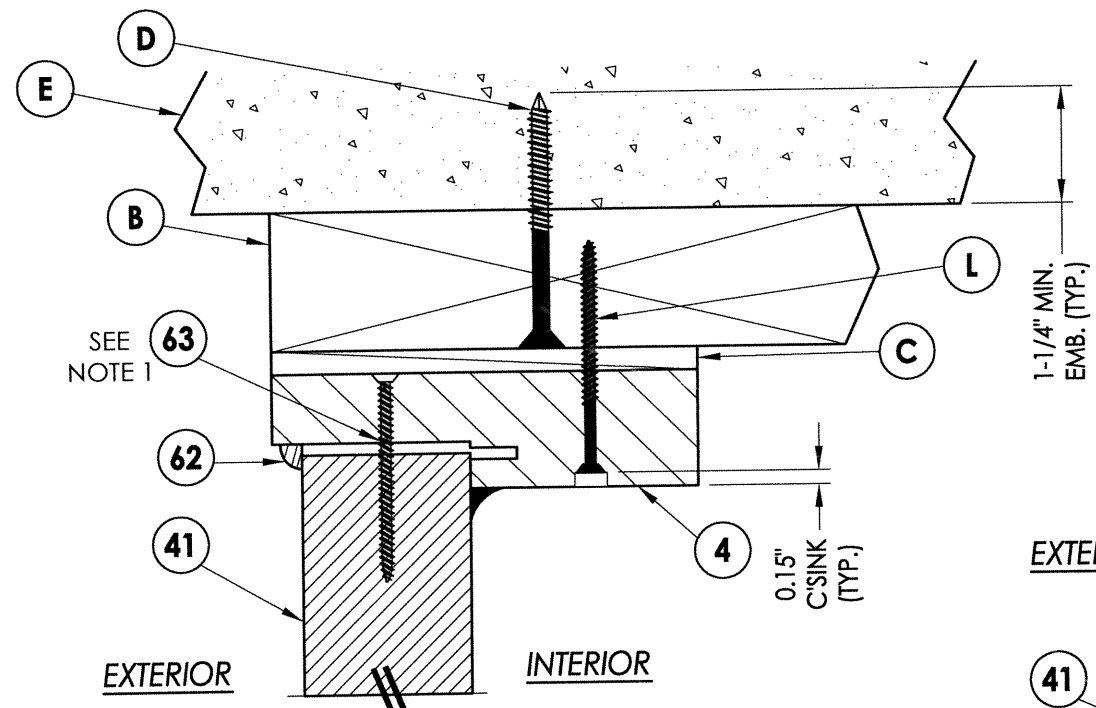


5 VERTICAL CROSS SECTION
 6 Inswing sill



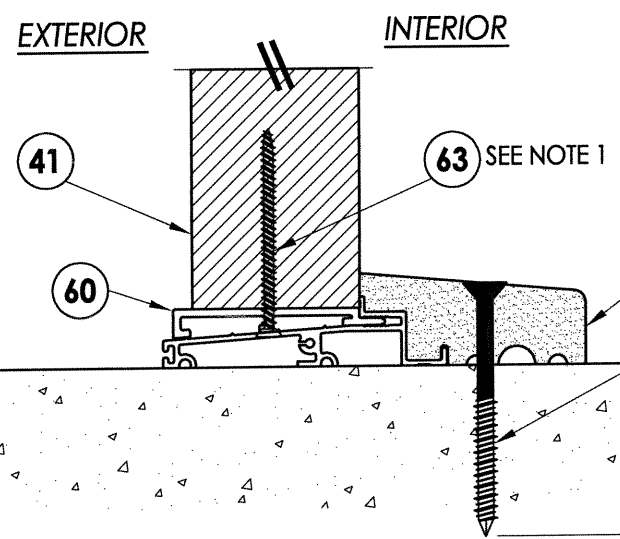
Documents Prepared By:
 Lyndon F. Schmidt
 P.E. No. 43409
 R.W. BUILDING CONSULTANTS, INC.
 P.O. Box 230, Valrico, FL 33595
 Phone No.: 813.659.9197
 FBPE C.A. No. 9813

PRODUCT:	TRINITY GLASS INT'L	
PART OR ASSEMBLY:	VERTICAL CROSS SECTIONS	
DATE:	1/18/12	
SCALE:	N.T.S.	
DWG. BY:	JK	
CHK. BY:	LFS	
DRAWING NO.:	FL-15129.20	
SHEET	6 OF 13	
NO.	DATE	REVISIONS
2	03/02/15	UPDATE TO 5TH ED. (2014) FBC
1	3/27/12	CORRECTED ASTRAGAL DETAIL

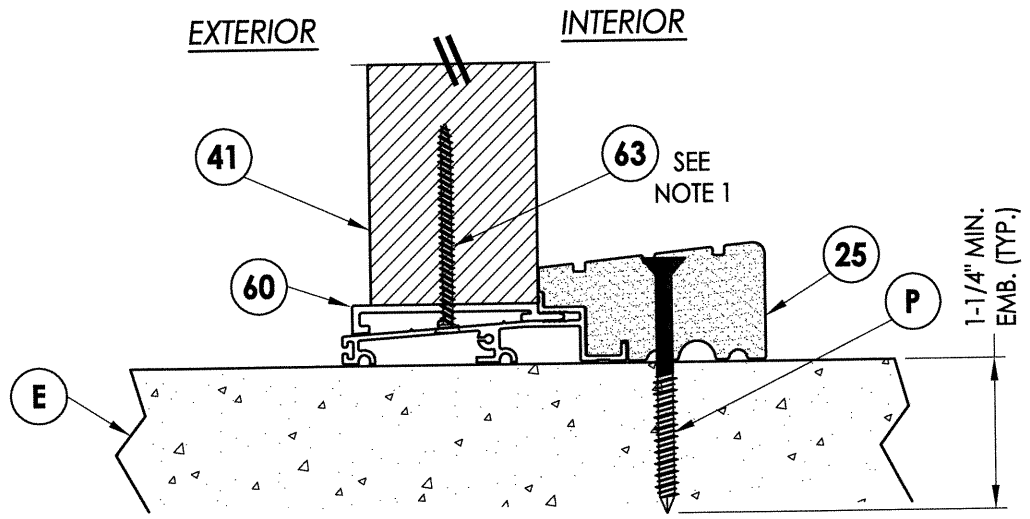


1
7 VERTICAL CROSS SECTION

NOTE:
1. Screws thru head and sill jamb located 3" from each end and O.C. (TYP.) line.

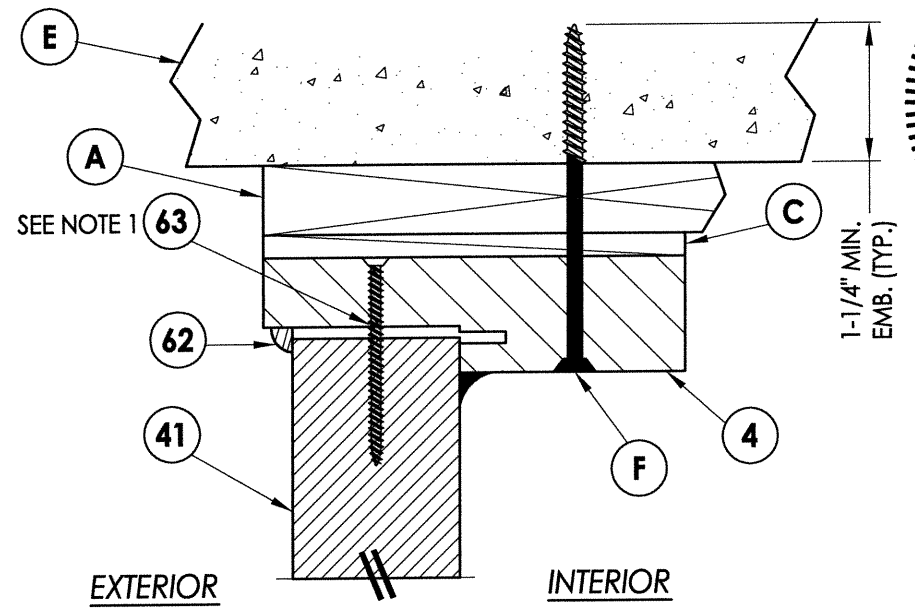


2
7 VERTICAL CROSS SECTION
Shown w/1X sub-buck

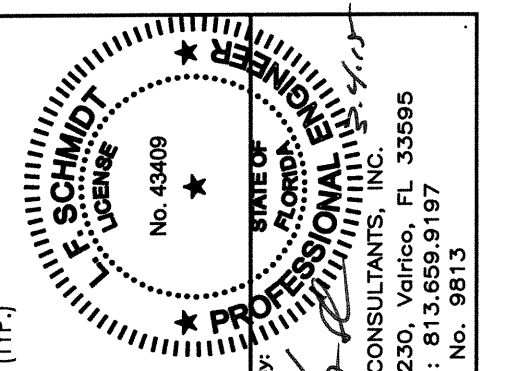
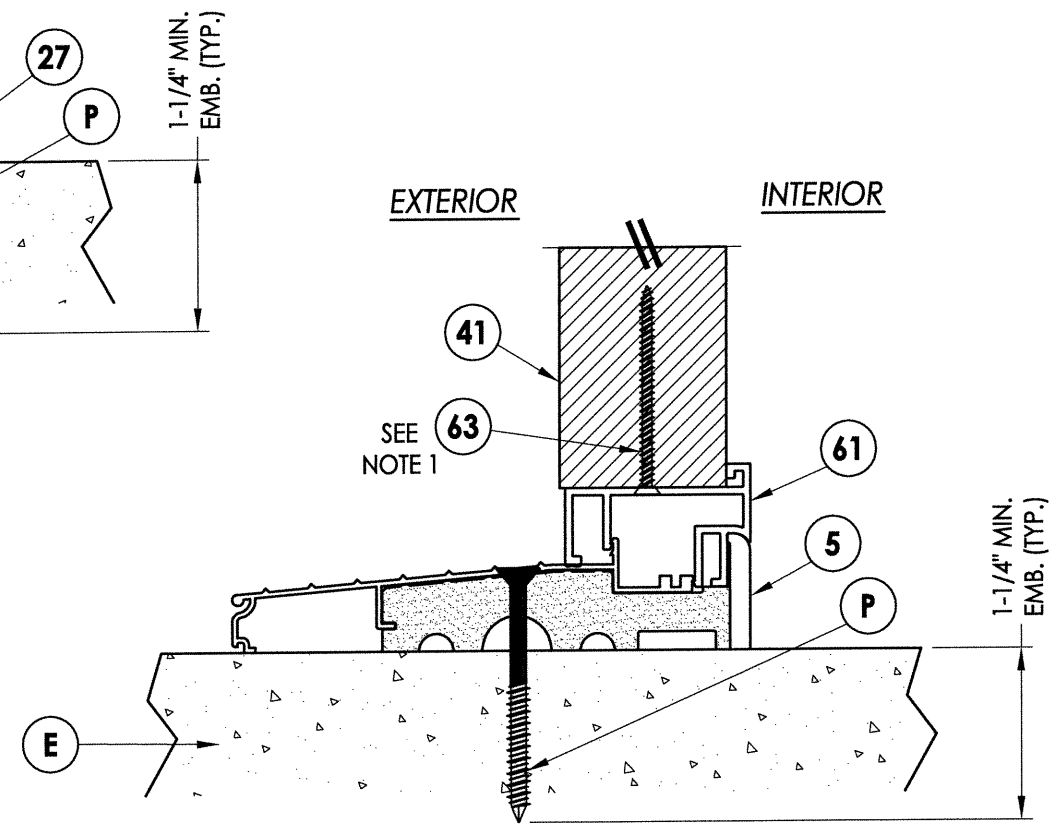


3
7 VERTICAL CROSS SECTION
Outswing sill - high dam

4
7 VERTICAL CROSS SECTION
Outswing sill

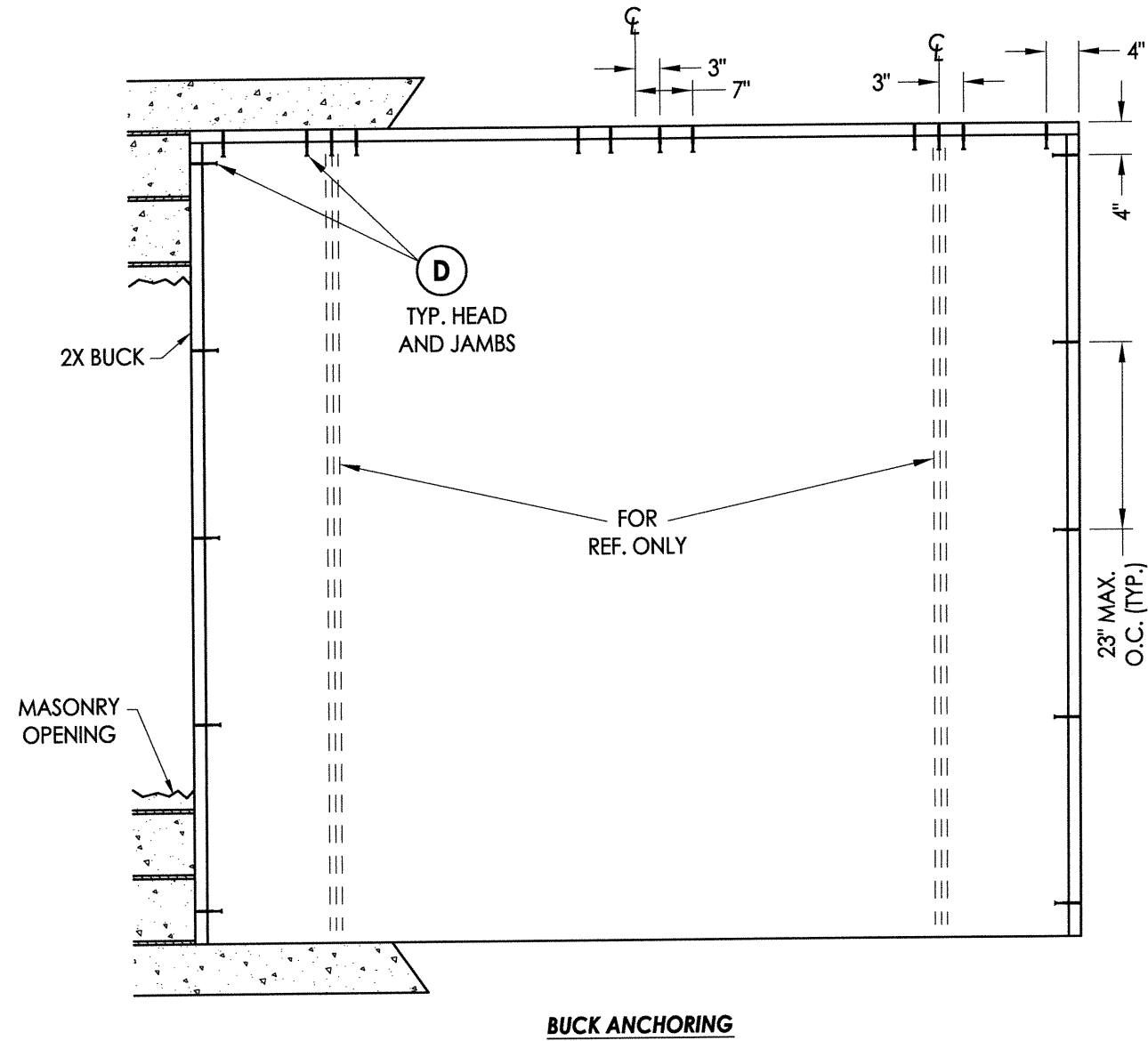
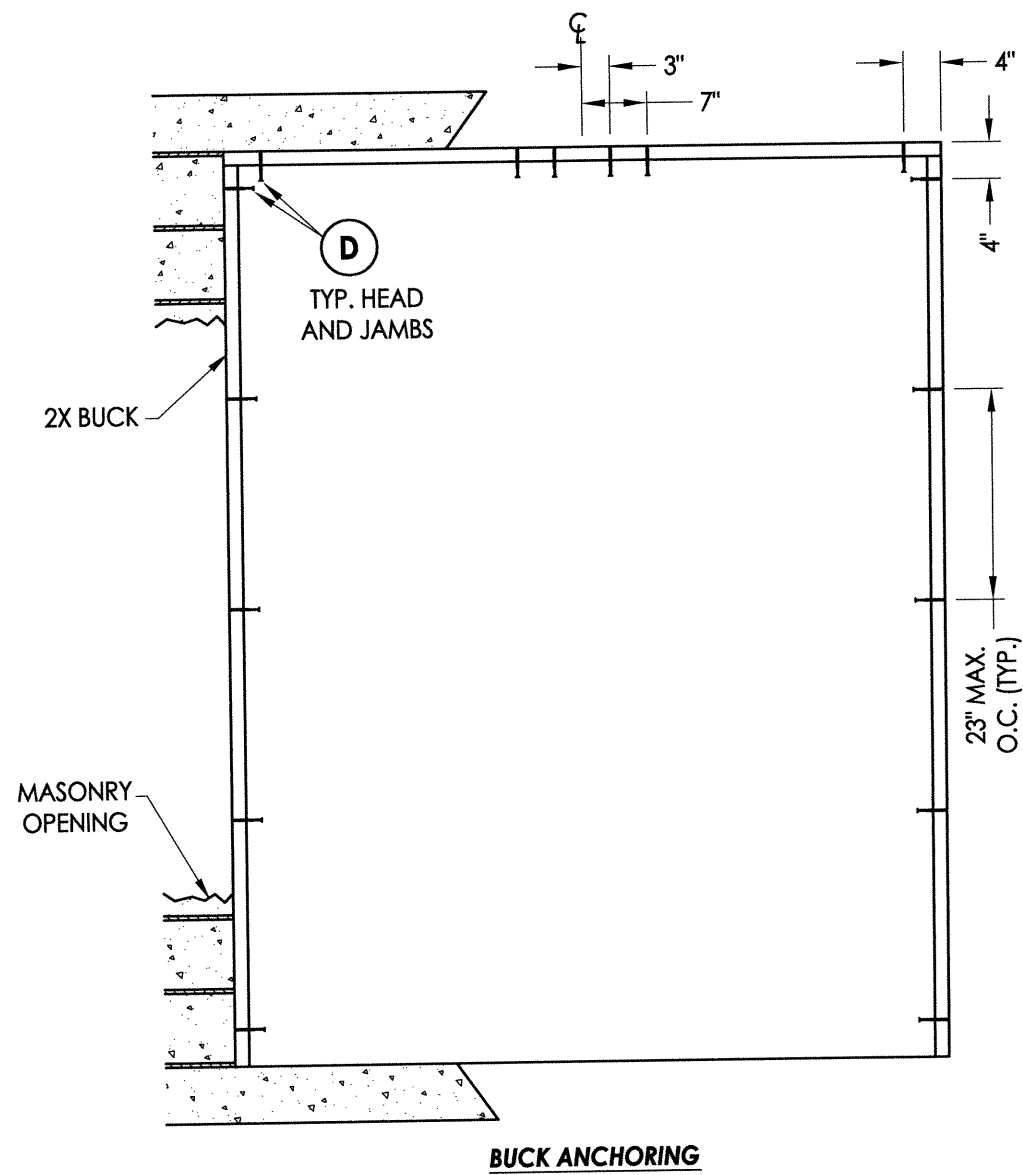


5
7 VERTICAL CROSS SECTION
Inswing sill



Documents Prepared By:
Lyndon F. Schmidt
P.E. No. 43409
RW
BUILDING CONSULTANTS, INC.
P.O. Box 230, Valrico, FL 33595
Phone No.: 813.659.9197
FBPE C.A. No. 9813

PRODUCT:		TRINITY GLASS INT'L	
PART OR ASSEMBLY:		VERTICAL CROSS SECTIONS	
DATE:	1/18/12	NO.	DATE
SCALE:	N.T.S.	2	03/02/15 UPDATE TO 5TH ED. (2014) FBC
DWG. BY:	JK	1	3/27/12 CORRECTED ASTRAGAL DETAIL
CHK. BY:	LFS		
DRAWING NO.:	FL-15129.20		
SHEET	7	OF	13



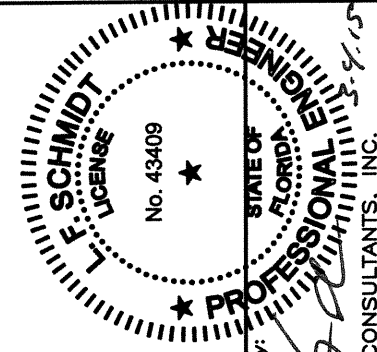
CONCRETE ANCHOR NOTES:

1. Concrete anchor locations at the corners may be adjusted to maintain the min. edge distance to mortar joints.
2. Concrete anchor locations noted as "MAX. ON CENTER" must be adjusted to maintain the min. edge distance to mortar joints, additional concrete anchors may be required to ensure the "MAX. ON CENTER" dimension are not exceeded.
3. Concrete anchor table:

ANCHOR TYPE	ANCHOR SIZE	MIN. EMBEDMENT	MIN. CLEARANCE TO MASONRY EDGE	MIN. CLEARANCE TO ADJACENT ANCHOR
ITW BUILDEX TAPCON®	1/4"	1-1/4"	2"	4"
ELCO ULTRACON®	1/4"	1-1/4"	1"	4"

WOOD SCREW INSTALLATION NOTES:

1. Maintain a minimum 5/8" edge distance, 1" end distance, & 1" o.c. spacing of wood screws to prevent the splitting of wood.



Documents Prepared By:
Lyndon F. Schmidt
P.E. No. 43409

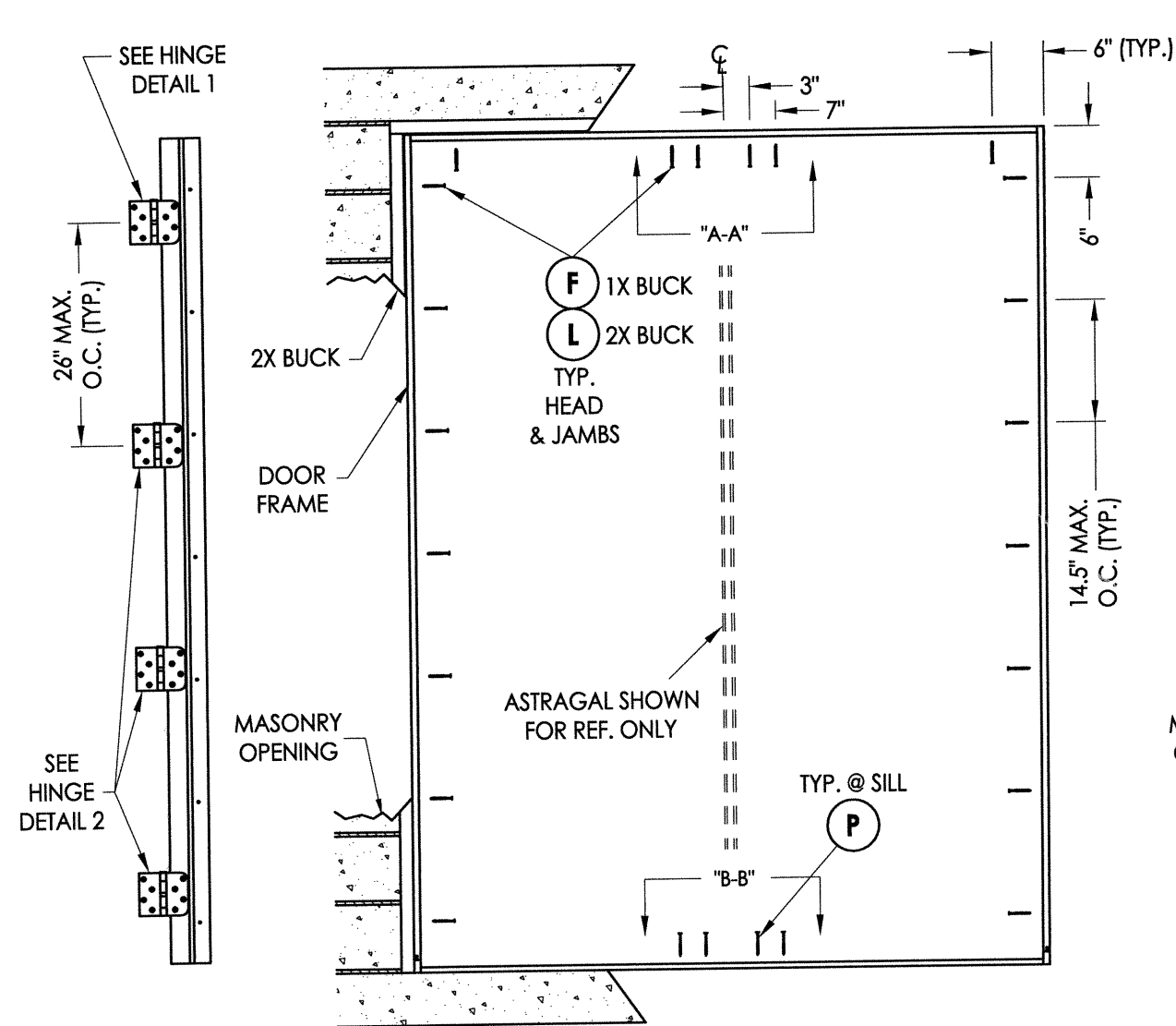
RW

PROFESSIONAL ENGINEER
STATE OF FLORIDA
No. 43409
BUILDING CONSULTANTS, INC.
P.O. Box 230, Valrico, FL 33595
Phone No.: 813.659.9197
FBPE C.A. No. 9813

PRODUCT: TRINITY GLASS INT'L
PART OR ASSEMBLY: BUCK ANCHORING

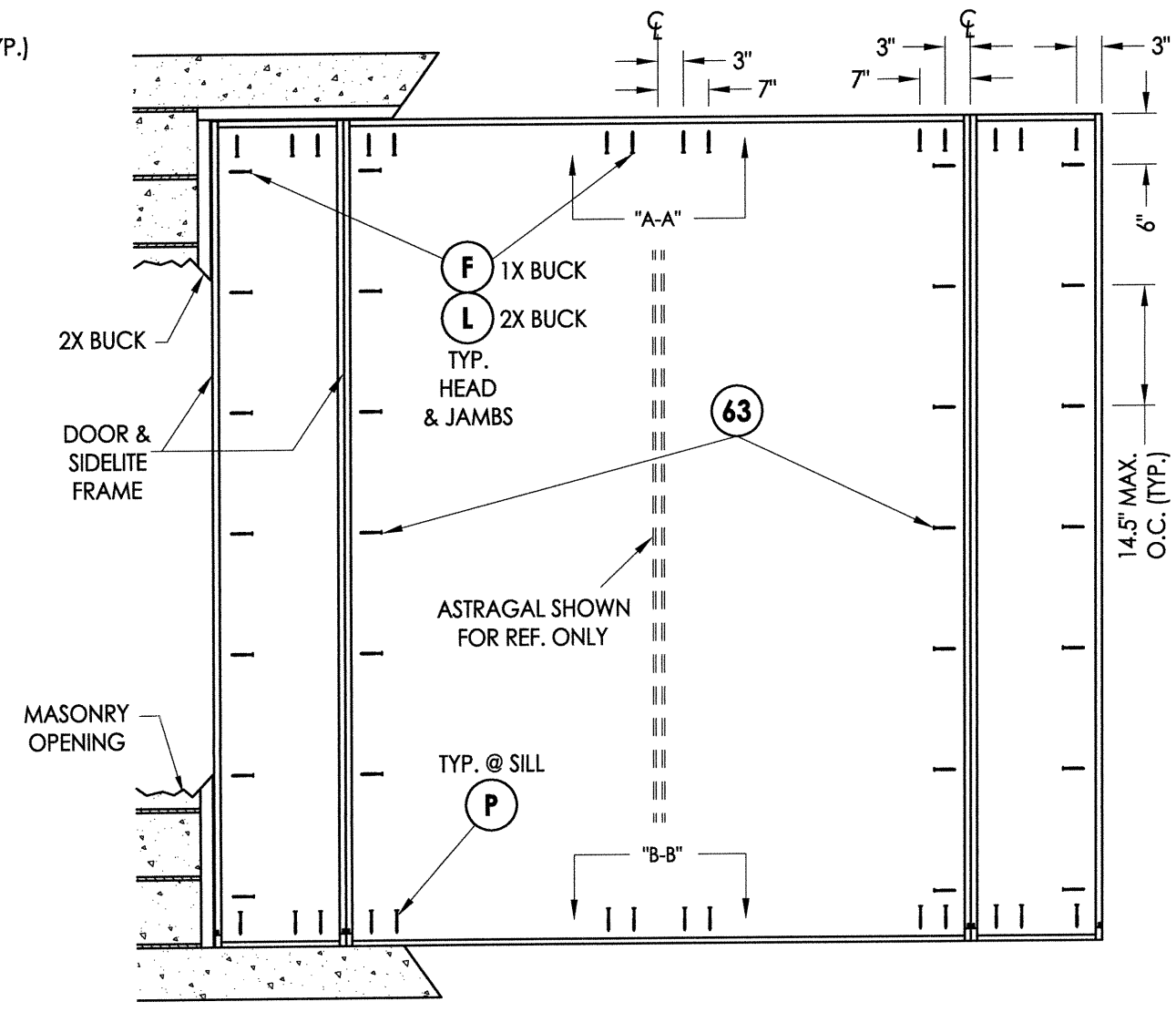
NO.	DATE	REVISIONS
2	03/02/15	UPDATE TO 5TH ED. (2014) FBC
1	3/27/12	CORRECTED ASTRAGAL DETAIL
		JK
		LFS
		BY

DATE: 1/18/12
SCALE: N.T.S.
DWG. BY: JK
CHK. BY: LFS
DRAWING NO.: FL-15129.20
SHEET 8 OF 13



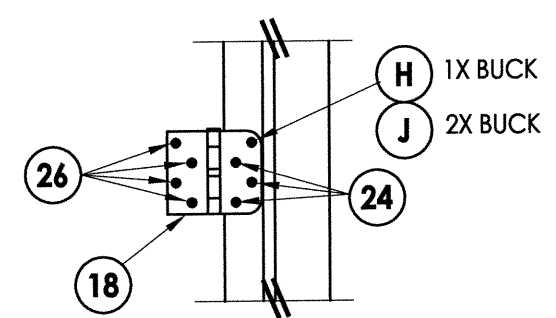
HINGE JAMB

FRAME ANCHORING

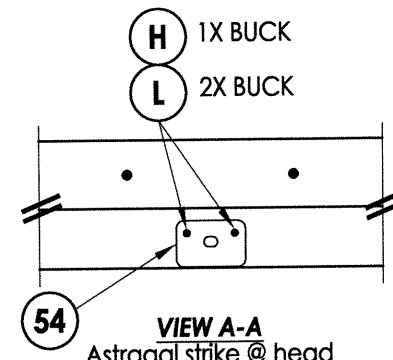


FRAME ANCHORING

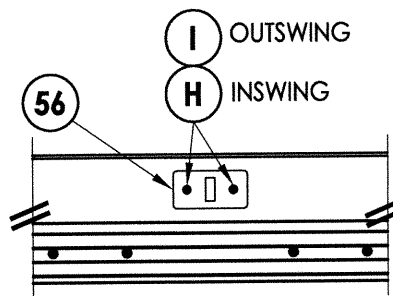
ASTRAGAL STRIKE JAMB



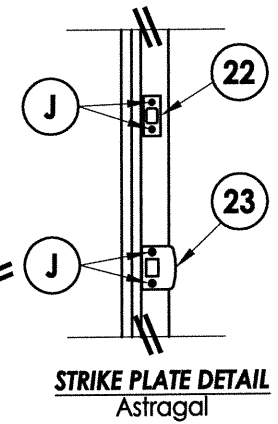
HINGE DETAIL 2



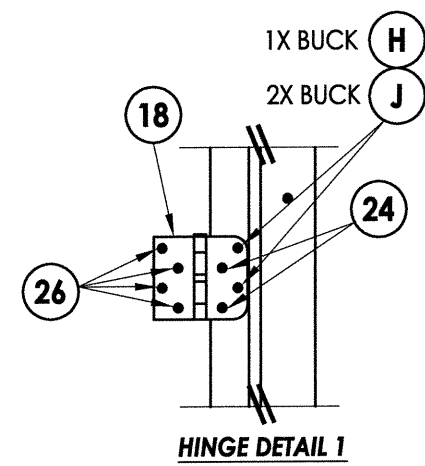
VIEW A-A
Astragal strike @ head



VIEW B-B
Astragal strike @ sill



STRIKE PLATE DETAIL
Astragal



HINGE DETAIL 1

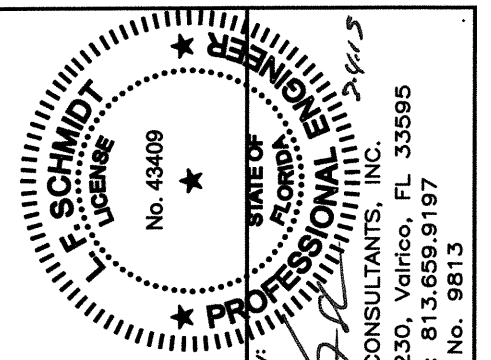
CONCRETE ANCHOR NOTES:

1. Concrete anchor locations at the corners may be adjusted to maintain the min. edge distance to mortar joints.
2. Concrete anchor locations noted as "MAX. ON CENTER" must be adjusted to maintain the min. edge distance to mortar joints, additional concrete anchors may be required to ensure the "MAX. ON CENTER" dimension are not exceeded.
3. Concrete anchor table:

ANCHOR TYPE	ANCHOR SIZE	MIN. EMBEDMENT	MIN. CLEARANCE TO MASONRY EDGE	MIN. CLEARANCE TO ADJACENT ANCHOR
ITW BUILDEX TAPCON®	3/16"	1-1/4"	3"	1-1/2"
	1/4"	1-1/4"	2"	4"
ELCO ULTRACON®	1/4"	1-1/4"	1"	4"

WOOD SCREW INSTALLATION NOTES:

1. Maintain a minimum 5/8" edge distance, 1" end distance, & 1" o.c. spacing of wood screws to prevent the splitting of wood.

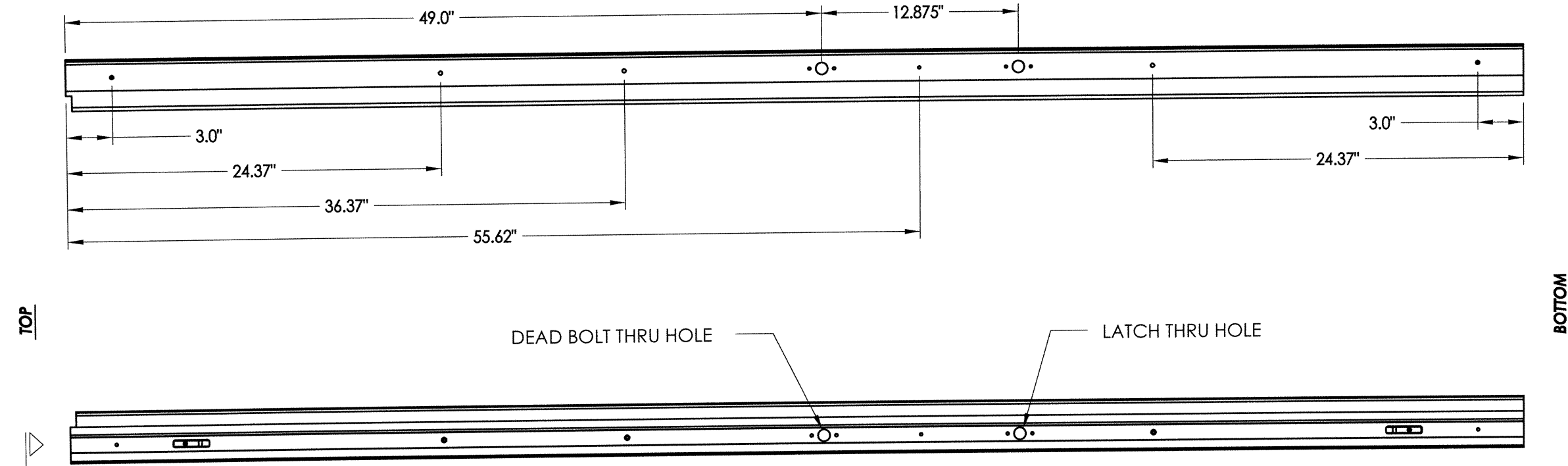


Documents Prepared By:
Lyndon F. Schmidt
P.E. No. 43409

R.W.
BUILDING CONSULTANTS, INC.
P.O. Box 230, Valrico, FL 33595
Phone No.: 813.659.9197
FBPE C.A. No. 9813

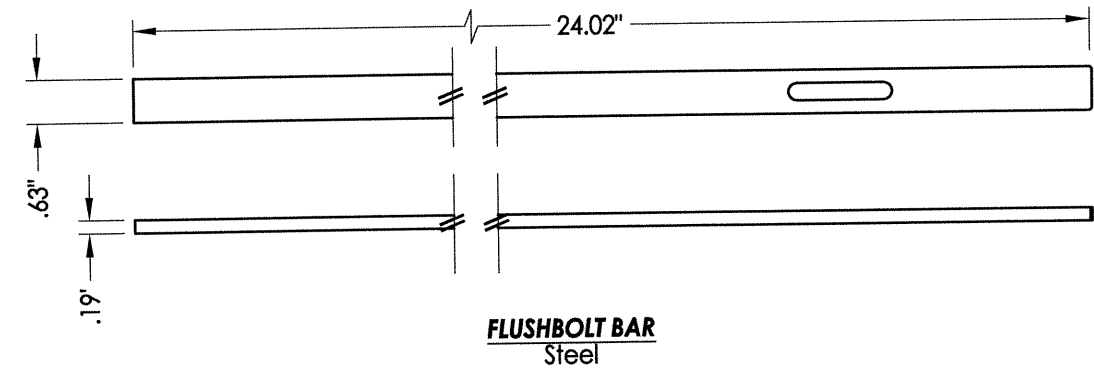
PRODUCT:	TRINITY GLASS INT'L
PART OR ASSEMBLY:	FRAME ANCHORING
DATE:	1/18/12
SCALE:	N.T.S.
DWG. BY:	JK
CHK. BY:	LFS
DRAWING NO.:	FL-15129.20
SHEET	9 OF 13

R:\Clients\Trinity PERMANENT\Florida Product Approvals\FL-15129\Drawings\Current\FL-15129.13-20.dwg, 10.20

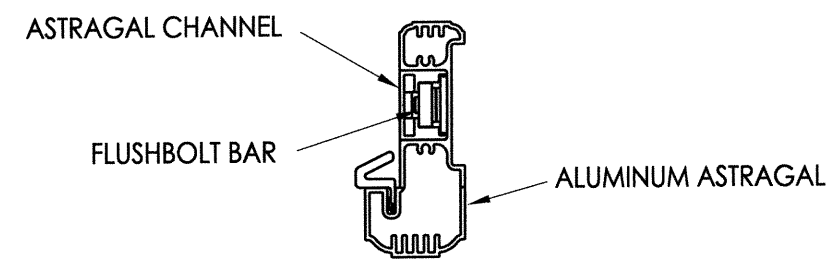


8'0 ALUMINUM ASTRAGAL ASSEMBLY
By TRC

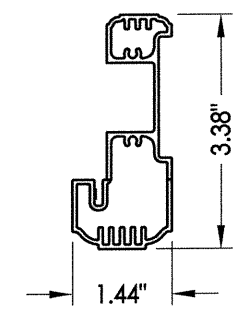
B-B
TOP
BOTTOM



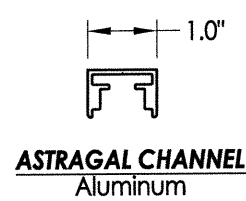
FLUSHBOLT BAR
Steel



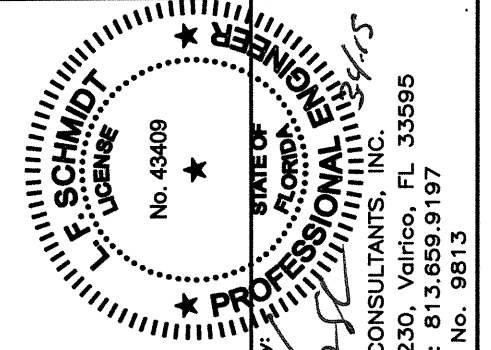
VIEW B-B
Aluminum Astragal Assembly



58 ALUMINUM ASTRAGAL
By TRC



ASTRAGAL CHANNEL
Aluminum

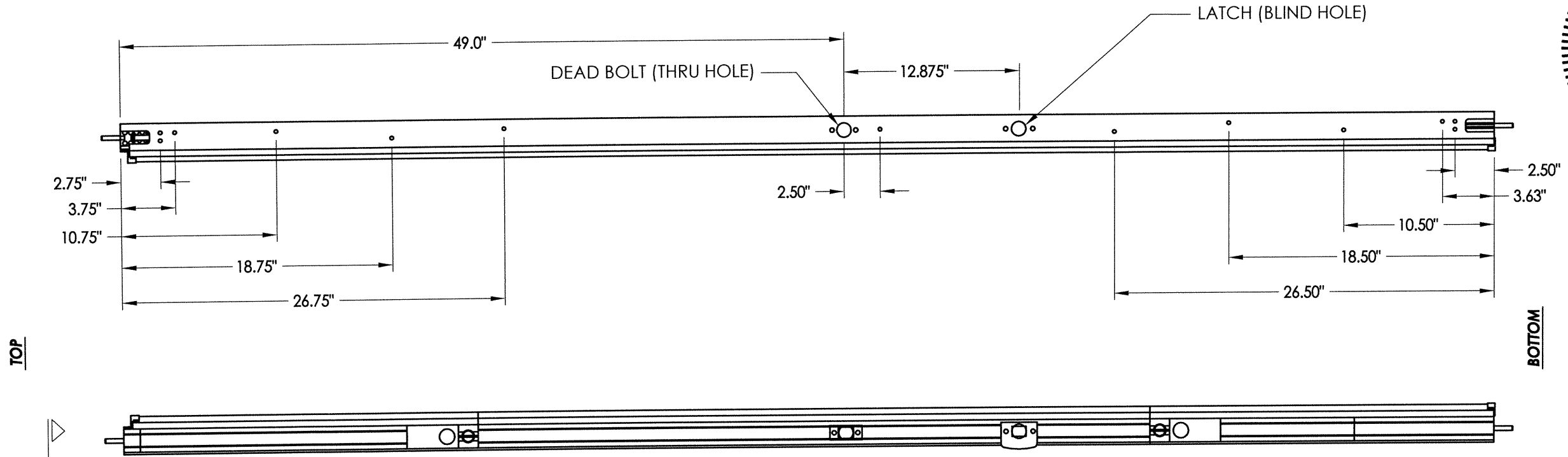


Documents Prepared By:
Lyndon F. Schmidt
P.E. No. 43409
LFS
R.W. BUILDING CONSULTANTS, INC.
P.O. Box 230, Vairico, FL 33595
Phone No.: 813.659.9197
FBPE C.A. No. 9813

PRODUCT: TRINITY GLASS INT'L
PART OR ASSEMBLY: ASTRAGAL DETAILS (TRC)

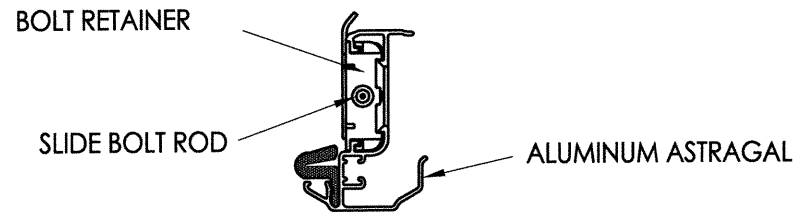
NO.	DATE	REVISIONS
2	03/02/15	UPDATE TO 5TH ED. (2014) FBC
1	3/27/12	ADDED GLAZING DETAIL
		JK
		LFS
		BY

DATE: 1/18/12
SCALE: N.T.S.
DWG. BY: JK
CHK. BY: LFS
DRAWING NO.: FL-15129.20
SHEET 10 of 13

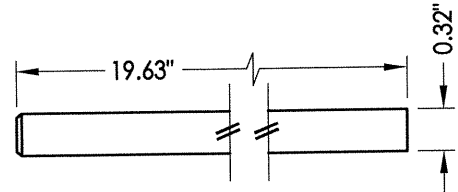


8'-0" ALUMINUM ASTRAGAL ASSEMBLY
By Endura Products

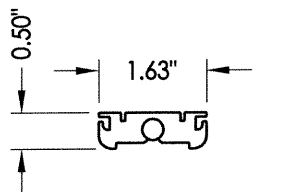
A-A



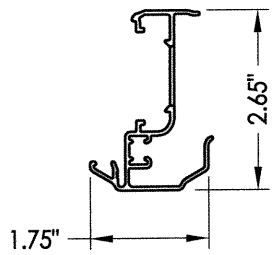
VIEW A-A
Aluminum Astragal Assembly



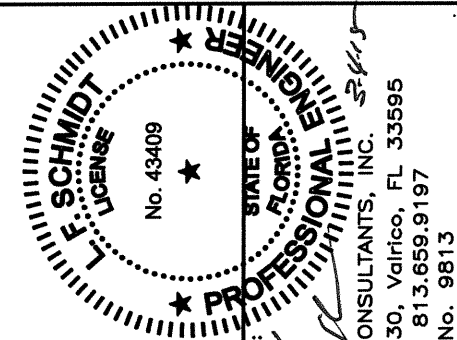
SLIDE BOLT ROD
Steel



BOLT RETAINER
Aluminum (9-3/4" long)



59 ALUMINUM ASTRAGAL
By Endura Products



Documents Prepared By:
Lyndon F. Schmidt
P.E. No. 43409

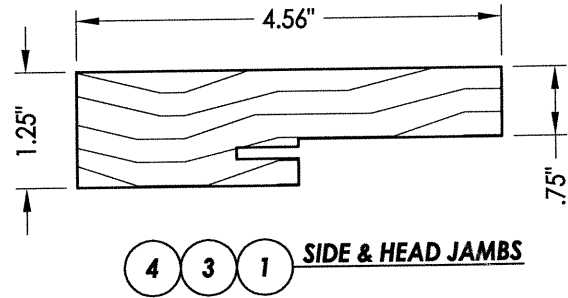
RW
BUILDING CONSULTANTS, INC.
P.O. Box 230, Valrico, FL 33595
Phone No.: 813.659.9197
FBPE C.A. No. 9813

PRODUCT:	TRINITY GLASS INT'L
PART OR ASSEMBLY:	ASTRAGAL DETAILS (ENDURA)

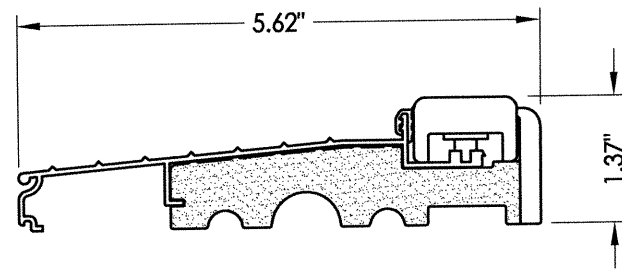
NO.	DATE	BY	REVISIONS
2	03/02/15	JK	UPDATE TO 5TH ED. (2014) FBC
1	3/27/12	LFS	ADDED GLAZING DETAIL

DATE:	1/18/12
SCALE:	N.T.S.
DWG. BY:	JK
CHK. BY:	LFS
DRAWING NO.:	FL-15129.20
SHEET	11 OF 13

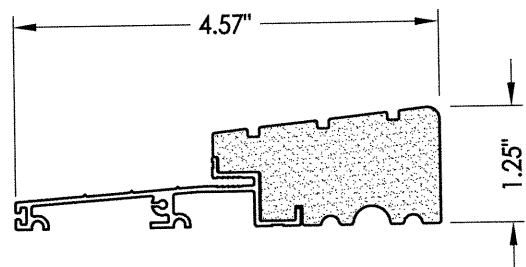
R:\Clients\Trinity PERMANENT\Florida Product Approvals\FL-15129\Drawings\Current\FL-15129.13-20.dwg, 12.20



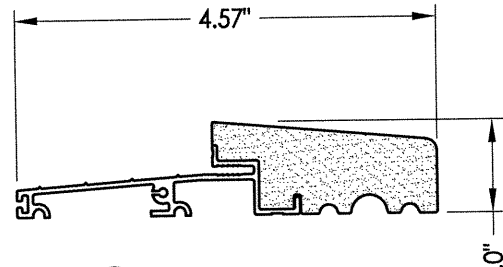
4 3 1 **SIDE & HEAD JAMBS**



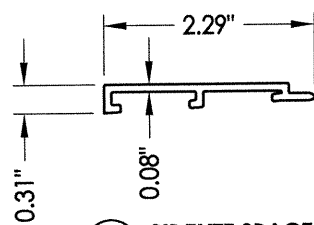
5 **INSWING THRESHOLD**



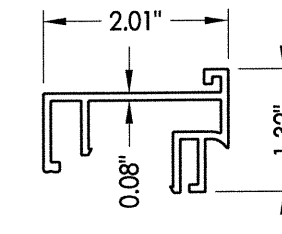
25 **OUTSWING THRESHOLD**
High-dam option



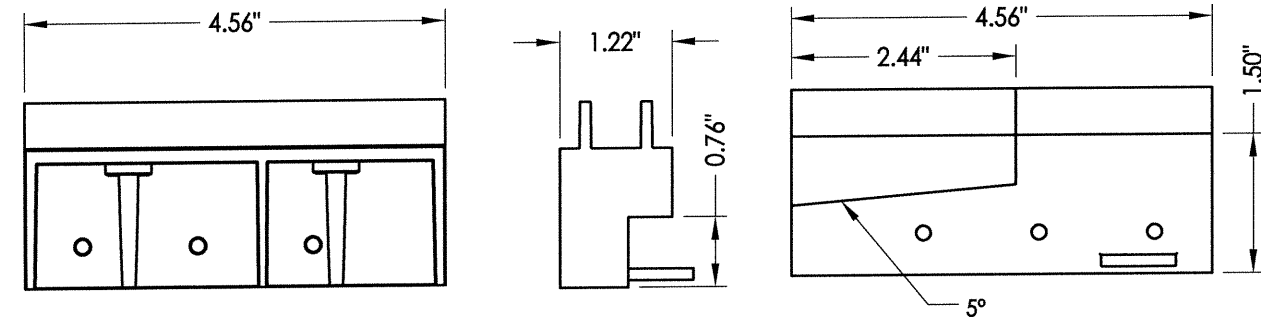
27 **OUTSWING THRESHOLD**



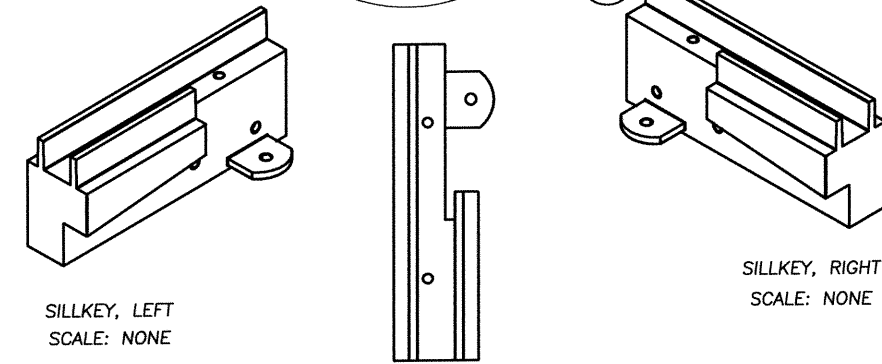
60 **SIDELITE SPACER**
Outswing



61 **SIDELITE SPACER**
Inswing

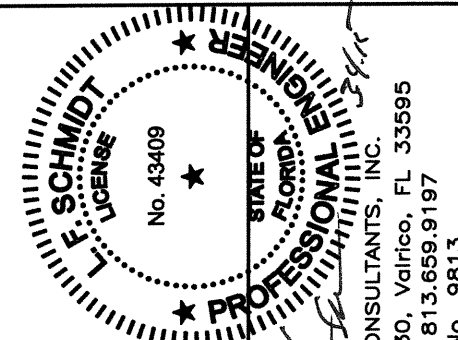
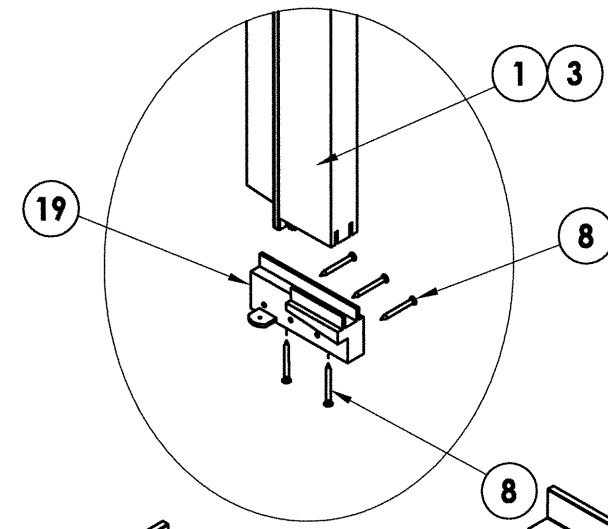


19 **SILLKEY DETAILS**
Optional



SILLKEY, LEFT
SCALE: NONE

SILLKEY, RIGHT
SCALE: NONE



Documents Prepared By:
Lyndon F. Schmidt
P.E. No. 43409

RW
BUILDING CONSULTANTS, INC.
P.O. Box 230, Valrico, FL 33595
Phone No.: 813.659.9197
FBPE C.A. No. 9813

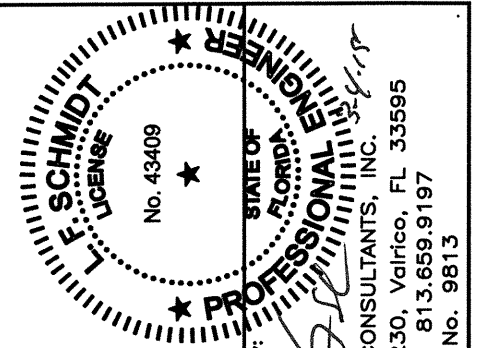
PRODUCT: TRINITY GLASS INT'L

PART OR ASSEMBLY: COMPONENTS

REVISIONS	
NO.	DATE
2	03/02/15
1	3/27/12

DATE: 1/18/12
SCALE: N.T.S.
DWG. BY: JK
CHK. BY: LFS
DRAWING NO.: FL-15129.20
SHEET 12 OF 13

BILL OF MATERIALS		
ITEM #	DESCRIPTION	MATERIAL
A	1X BUCK SG >= 0.55	WOOD
B	2X BUCK SG >= 0.55	WOOD
C	1/4" MAX. SHIM SPACE	-
D	1/4" X 2-3/4" PFH ELCO OR ITW CONCRETE SCREW	STEEL
E	MASONRY - 3,000 PSI MIN. CONCRETE CONFORMING TO ACI 301 OR HOLLOW BLOCK CONFORMING TO ASTM C90	CONCRETE
F	1/4" X 3-3/4" ITW PFH CONCRETE SCREW	STEEL
H	3/16" X 3-1/4" ITW PFH CONCRETE SCREW	STEEL
I	3/16" X 1-1/4" ITW PFH CONCRETE SCREW	STEEL
J	#9 X 2-1/4" PFH WS	STEEL
L	#8 X 2-1/2" PFH WS	STEEL
P	1/4" X 2-3/4" ITW PFH CONCRETE SCREW	STEEL
1	STRIKE JAMB - FINGER-JOINT PINE - SG >= 0.42	WOOD
3	HINGE JAMB - FINGER-JOINT PINE - SG >= 0.42	WOOD
4	HEAD - FINGER-JOINT PINE - SG >= 0.42	WOOD
5	INSWING THRESHOLD ALUMINUM W/ COMPOSITE SUBSTRATE	ALUMINUM
6	DOOR BOTTOM SWEEP	PVC
8	#6 X 1-1/4 PFH DRYWALL SCREW	STEEL
9	#9 X 2-1/4" PFH SMS	STEEL
12	WEATHER STRIP QEBD650 Q-LON	-
18	3.983" X 4.0" HINGE MIN 0.098" THICK	STEEL
19	SILLKEY	PC/ASA
22	DEADBOLT STRIKE PLATE	STEEL
23	LATCH STRIKE PLATE	STEEL
24	#9 X 5/8" PFH WS	STEEL
25	OUTSWING HIGH-DAM THRESHOLD ALUMINUM W/ COMPOSITE SUBSTRATE	ALUM./ COMP.
26	#9 X 1.0" PFH WS	STEEL
27	OUTSWING THRESHOLD ALUMINUM W/ COMPOSITE SUBSTRATE	ALUM./ COMP.
40	DOOR PANEL - SEE DOOR PANEL DETAIL SHEET FOR CONSTRUCTION DETAILS	-
41	SIDELITE PANEL - SEE SIDELITE PANEL DETAIL SHEET FOR CONSTRUCTION DETAILS	-
50	FLUSHBOLT BAR	STEEL
53	#8 X 1-3/4" PFH SMS	STEEL
54	ASTRAGAL STRIKE @ HEAD	STEEL
56	ASTRAGAL STRIKE @ SILL	STEEL
58	ASTRAGAL (TRC)	ALUMINUM
59	ASTRAGAL (ENDURA)	ALUMINUM
60	SIDELITE SPACER - OUTSWING	PVC
61	SIDELITE SPACER - INSWING	PVC
62	QUARTER ROUND	WOOD
63	#8 X 2-1/4" PFH WOOD SCREW	STEEL
64	#8 X 2" PFH WOOD SCREW	STEEL



Documents Prepared By:
 Lyndon F. Schmidt
 P.E. No. 43409

RW
 BUILDING CONSULTANTS, INC.
 P.O. Box 230, Valrico, FL 33595
 Phone No.: 813.659.9197
 FBPE C.A. No. 9813

PRODUCT: TRINITY GLASS INT'L

PART OR ASSEMBLY:
 BILL OF MATERIALS

NO.	DATE	REVISIONS
2	03/02/15	UPDATE TO 5TH ED. (2014) FBC
1	3/27/12	ADDED GLAZING DETAIL
JK		
LFS		
BY		

DATE: 1/18/12
 SCALE: N.T.S.
 DWG. BY: JK
 CHK. BY: LFS
 DRAWING NO.: FL-15129.20
 SHEET 13 OF 13